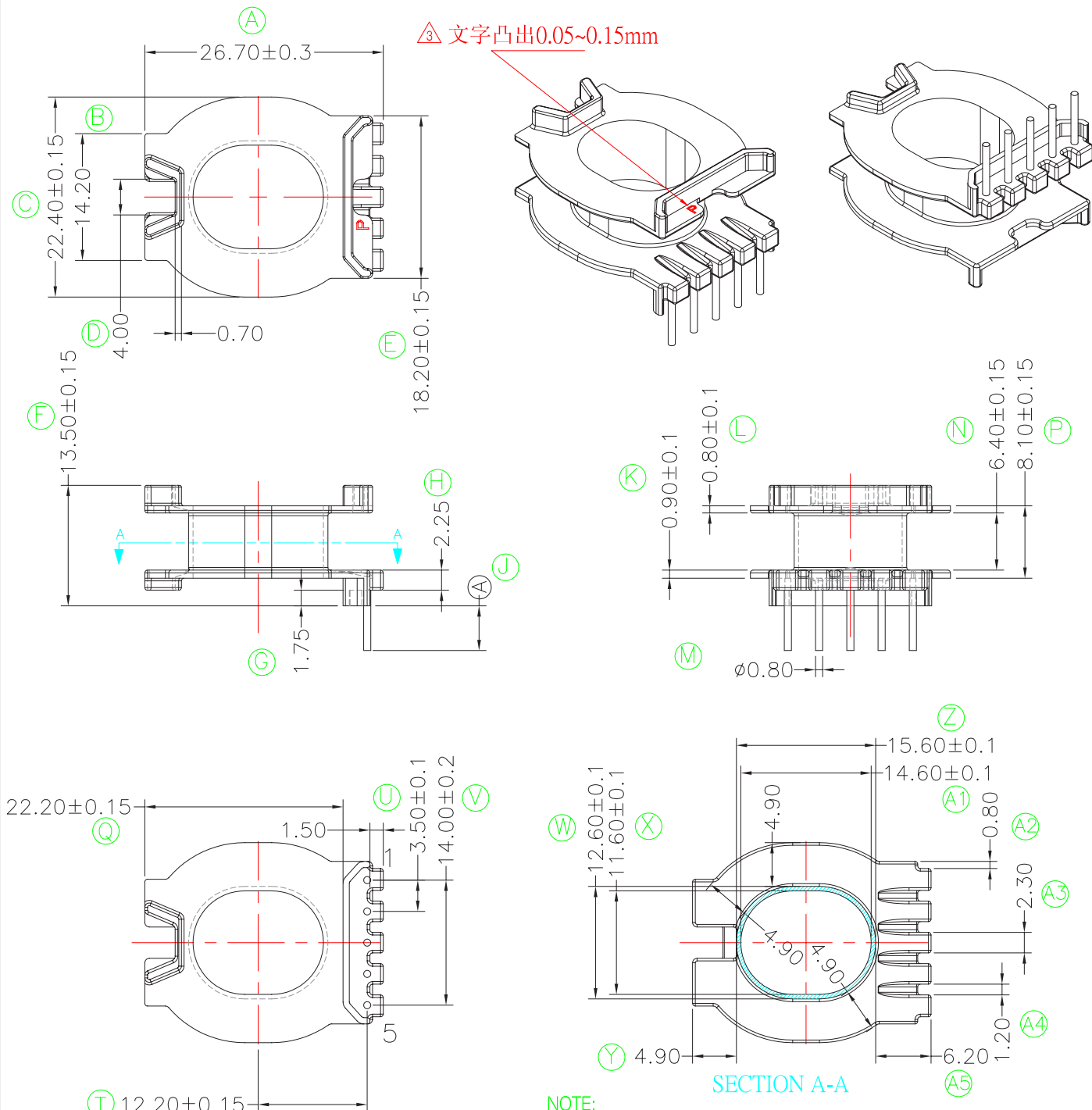




TRANSFORMER BOBBIN
INDUSTRIAL CO.,LTD.

Tel : 86-769-88789999 Fax : 86-769-88789989
http:// tbi-tw.com e-mail : tb6688@ms46.hinet.net

REVISIONS				
REV	SYM	DRAFTER	CHECKER	DATE
①		X.H.GU	G.F.YANG	08/05/11
②		X.X.YUAN	G.F.YANG	05/19/14
③		X.H.GU	G.F.YANG	11/07/16



NOTE:
Winding Space=6.4*4.9=31.36mm²

DWG NO.	ATQ27-14.4-5P-TH-E5-12				
PART NO.	MATERIAL (BOBBIN)	MATERIAL (TERMINAL)	TERMINAL (PLATING)	PIN ALLOCATION	NOTE
TBI-238-03551.1206	PM-9820	CP WIRE	Sn	ALL PIN (A)=5.0±0.2	S
TBI-238-03551.1216	PM-9820	CP WIRE	Sn	ALL PIN (A)=4.0±0.2	H
TBI-238-03551.1226	PM-9820	CP WIRE	Sn	ALL PIN (A)=3.0±0.2	
TBI-238-03551.1236	PM-9820	CP WIRE	Sn	CUT PIN#4 (A)=4.0±0.3	
TBI-238-03551.1246	PM-9820	CP WIRE	Sn	ALL PIN (A)=3.1±0.2	
	TOLERANCE: .XX±0.2 .XXX±0.1			UNIT : m / m	SCALE 1 : 1

Finish: 1. PB wire Immersion Sn on terminal : Thickness:Sn plating,100,5 μm (200 μ inches) min,Base nickel 0.625 μm (25 μ inches) min.
2. CP wire Immersion Sn on terminal : Thickness:Sn plating,100,5 μm (200 μ inches) min.
3. Coplanarity deviation: 0.10 mm (0.004 inches) max.

REV	3
-----	---