

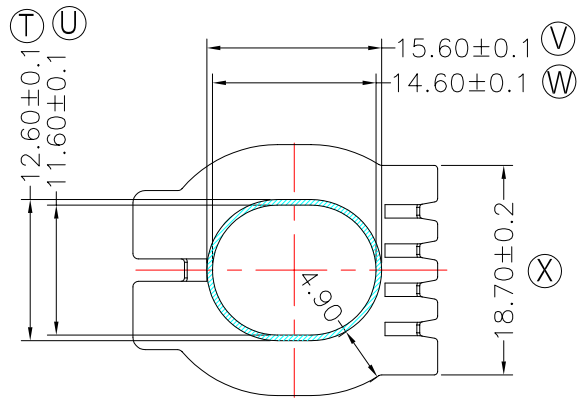
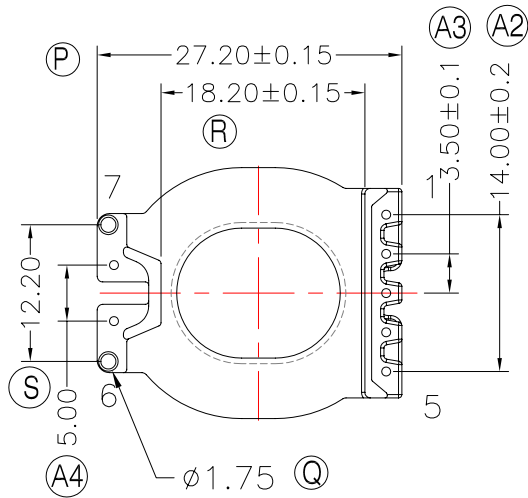
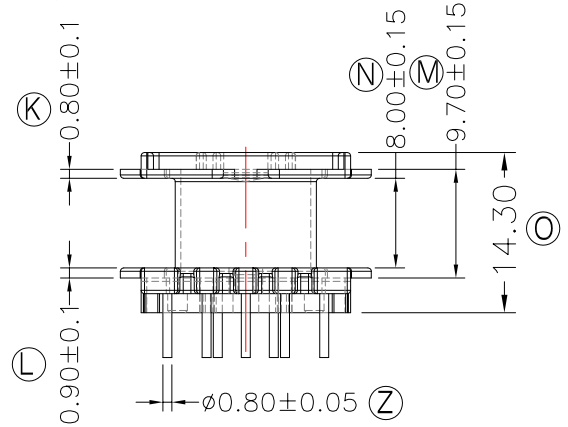
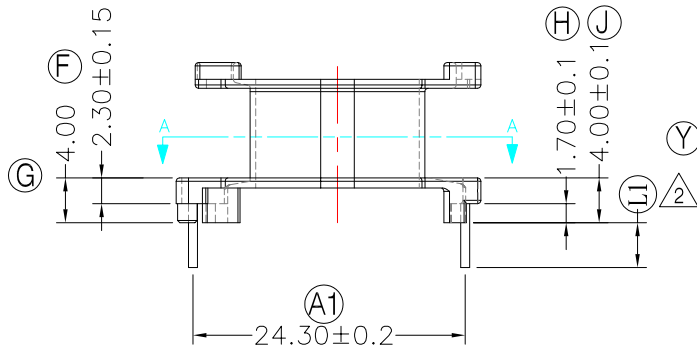
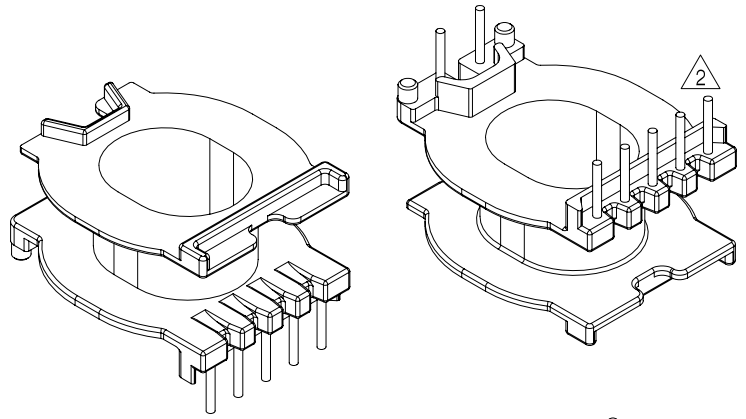
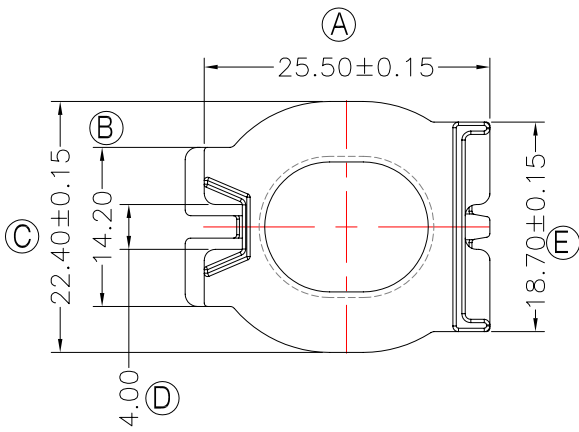


TRANSFORMER BOBBIN  
INDUSTRIAL CO.,LTD.

Tel : 86-769-88789999 Fax : 86-769-88789989  
http:// tbi-tw.com e-mail : tb6688@ms46.hinet.net

REVISIONS

REV	SYM	DRAFTER	CHECKER	DATE
△1		G.F.YANG	W.H.HSU	11/15/10
△2		X.X.YUAN	W.H.HSU	03/02/11
△3				



SECTION A-A

NOTE:

Winding Space=4.9\*8=39.2mm<sup>2</sup>

DWG NO.	ATQ27-16-1-7P-TH-D7-12				
PART NO.	MATERIAL (BOBBIN)	MATERIAL (TERMINAL)	TERMINAL (PLATING)	PIN ALLOCATION	NOTE
TBI-238-03471.1206	PM-9820	CP WIRE	Sn	ALL PIN(L1)= 4.0±0.2	用于PFC S
TBI-238-03471.1216	PM-9820	CP WIRE	Sn	NO PIN#1,3,5 (L1)=4.0±0.2	H
TBI-238-03471.1226	PM-9820	CP WIRE	Sn	NO PIN#2,6,7 (L1)=4.2±0.2	用于T1
TBI-238-03471.1236	PM-9820	CP WIRE	Sn	NO PIN#1,3,5 (L1)=4.5±0.3	
TBI-238-03471.1246	PM-9820	CP WIRE	Sn	NO PIN#6,7 (L1)=4.2±0.2	用于T1
TBI-238-03471.1256	PM-9820	CP WIRE	Sn	NO PIN#3 (L1)=4.0±0.2	
TBI-238-03471.1266	PM-9820	CP WIRE	Sn	ALL PIN (L1)=4.5±0.3	
TOLERANCE: 0<L<=4±0.1 4<L<=16±0.2 16<L<=63±0.3 Pin Pitch ±0.2				UNIT : m / m	SCALE 1 : 1

Finish: 1. PB wire Immersion Sn on terminal : Thickness:Sn plating,100,5 μm (200 μ inches) min,Base nickel 0.625 μm (25 μ inches) min.  
2. CP wire Immersion Sn on terminal : Thickness:Sn plating,100,5 μm (200 μ inches) min.  
3. Coplanarity deviation: 0.10 mm (0.004 inches )max.

REV 2