

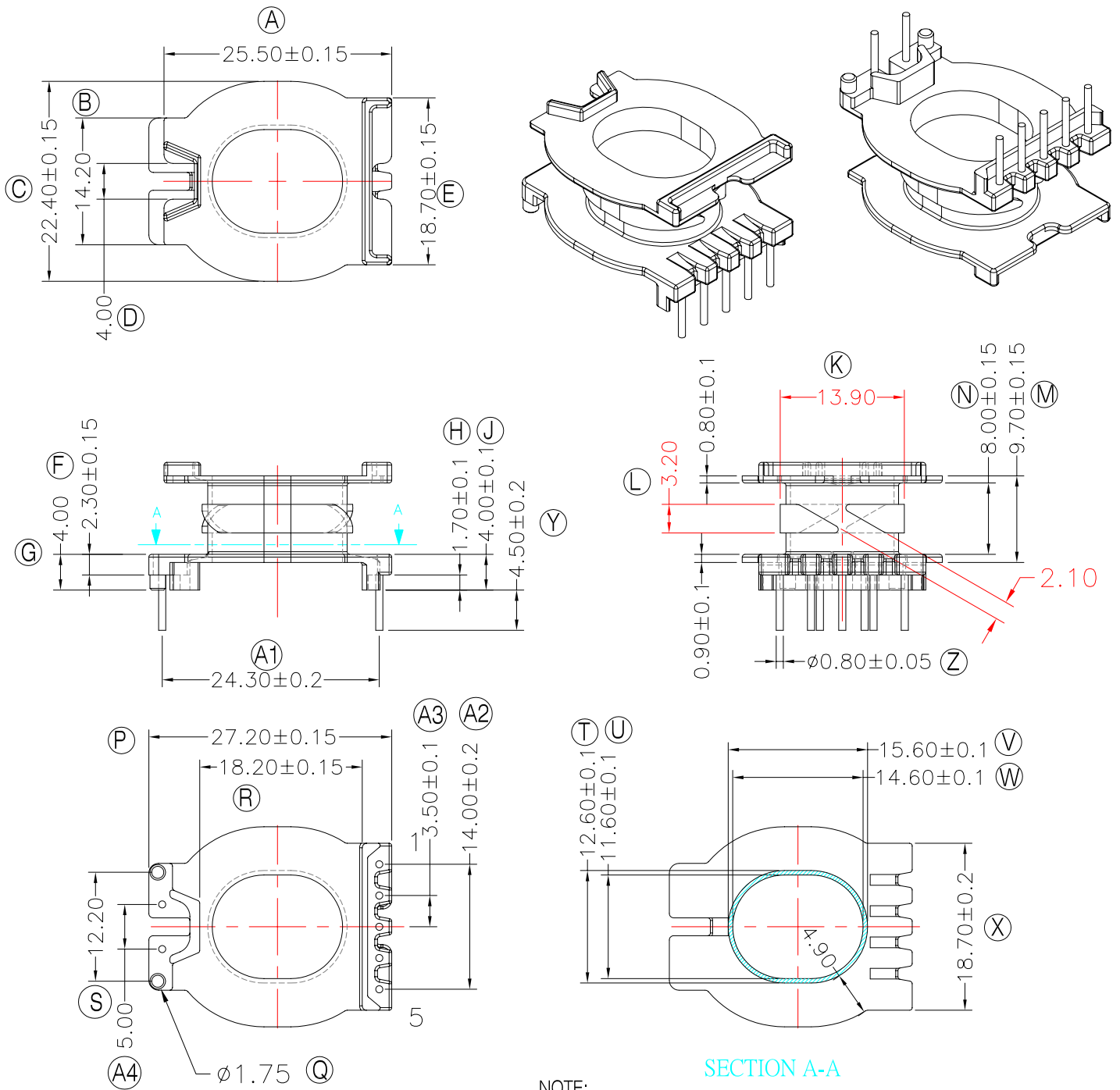


TRANSFORMER BOBBIN INDUSTRIAL CO.,LTD.

Tel : 86-769-88789999 Fax : 86-769-88789999
 http:// tbi-tw.com e-mail : tb6688@ms46.hinet.net

REVISIONS

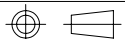
REV	SYM	DRAFTER	CHECKER	DATE
①		X.H.GU	G.F.YANG	11/12/10
②				
③				



NOTE:
 Winding Space=4.9*8=39. 2mm²

DWG NO. ATQ27-16-1-7P-TH-D5-12

PART NO.	MATERIAL (BOBBIN)	MATERIAL (TERMINAL)	TERMINAL (PLATING)	PIN ALLOCATION	NOTE
TBI-238-03451.1206	PM-9820	CP WIRE	Sn	ALL PIN	用于PFC S



TOLERANCE: 0<L<=4±0.1 4<L<=16±0.2 16<L<=63±0.3 Pin Pitch ±0.2

UNIT : m / m

SCALE 1 : 1

Finish: 1. PB wire Immersion Sn on terminal : Thickness:Sn plating,100,5 μm (200 μ inches) min,Base nickel 0.625 μm (25 μ inches) min.
 2. CP wire Immersion Sn on terminal : Thickness:Sn plating,100,5 μm (200 μ inches) min.
 3. Coplanarity deviation: 0.10 mm (0.004 inches) max.

REV 1