

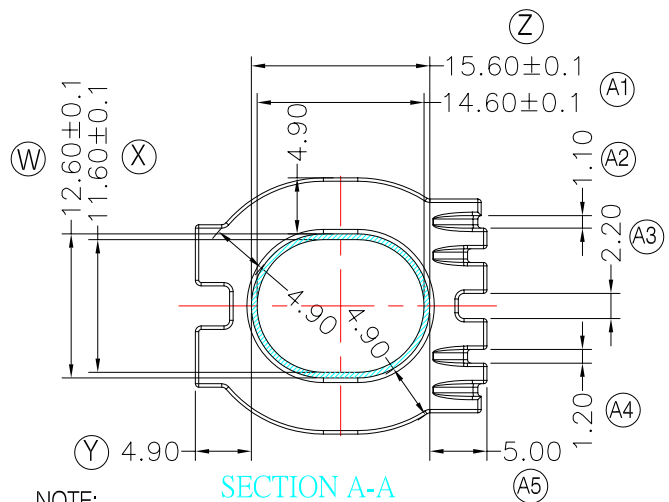
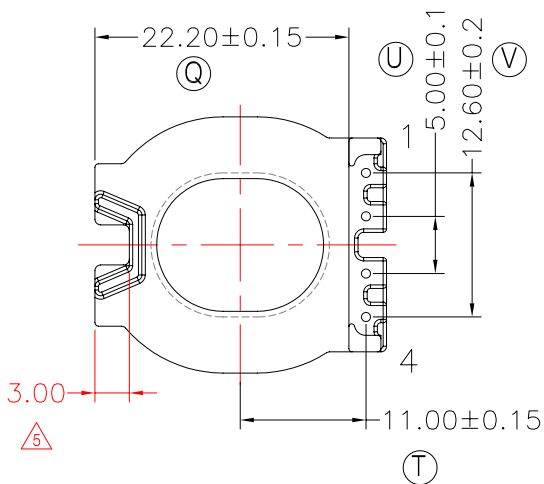
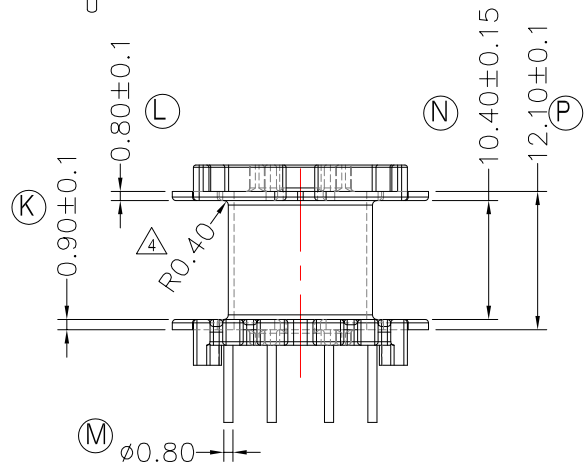
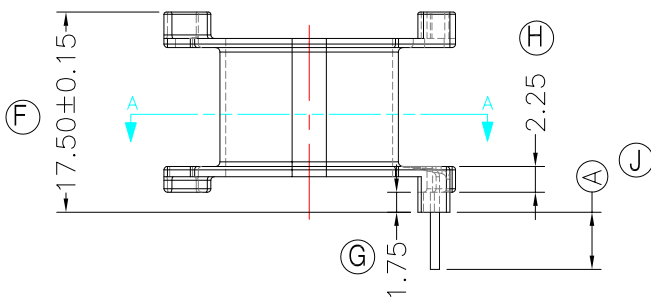
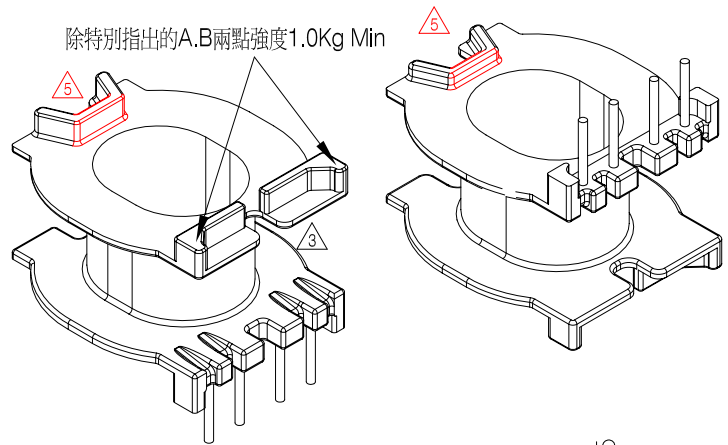
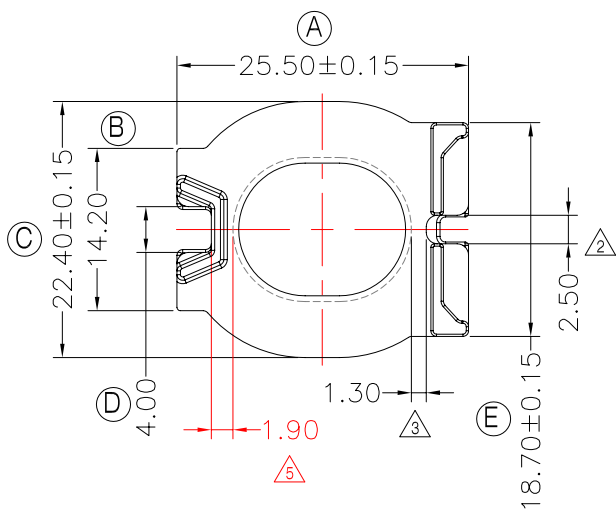


TRANSFORMER BOBBIN  
INDUSTRIAL CO.,LTD.

Tel : 86-769-88789999 Fax : 86-769-88789989  
http:// tbi-tw.com e-mail : tb6688@ms46.hinet.net

REVISIONS

REV	SYM	DRAFTER	CHECKER	DATE
3		YAN.TANG	G.F.YANG	06/22/10
4		X.H.GU	G.F.YANG	01/21/11
5		X.H.GU	G.F.YANG	03/22/11



NOTE:

1. 焊錫前拉力 : 1.0Kg Min, 焊錫後拉力 : 1.5Kg Min.
2. 強度任意一點 1.8Kg Min. (除特別指出的A.B兩點強度 1.0Kg Min外)

DWG NO. ATQ27-18.4-1-4P-TH-C8-12

PART NO.	MATERIAL (BOBBIN)	MATERIAL (TERMINAL)	TERMINAL (PLATING)	PIN ALLOCATION	NOTE
TBI-238-03381.1206	PM-9820	CP WIRE	Sn	ALL PIN (A)=5.0±0.2	S
TBI-238-03381.1216	PM-9820	CP WIRE	Sn	ALL PIN (A)=3.7±0.2	H
TBI-238-03381.1226	PM-9820	CP WIRE	Sn	CUT PIN#3 (A)=5.0±0.2	
TBI-238-03381.1236	PM-9820	CP WIRE	Sn	CUT PIN#3 (A)=4.5±0.2	
TBI-238-03381.1246	PM-9820	CP WIRE	Sn	CUT PIN#3 (A)=3.7±0.2	

TOLERANCE: .XX±0.2 .XXX±0.1

UNIT : m / m

SCALE 1 : 1

Finish: 1. PB wire Immersion Sn on terminal : Thickness:Sn plating, 100,5 μm (200 μ inches) min, Base nickel 0.625 μm (25 μ inches) min.  
2. CP wire Immersion Sn on terminal : Thickness:Sn plating, 100,5 μm (200 μ inches) min.  
3. Coplanarity deviation: 0.10 mm (0.004 inches) max.

REV 5