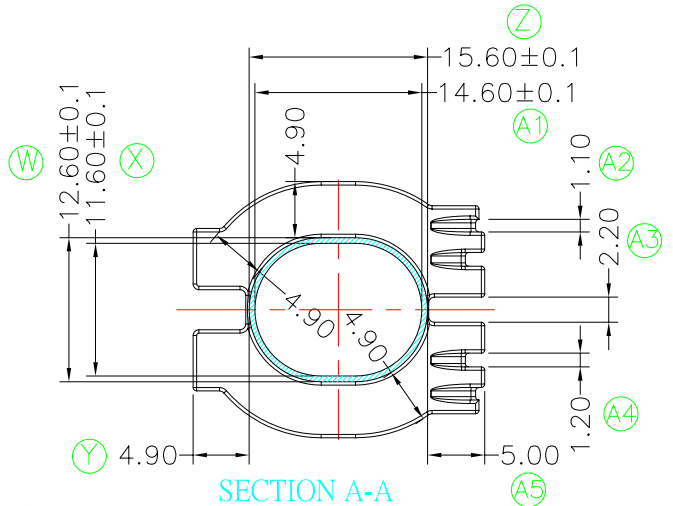
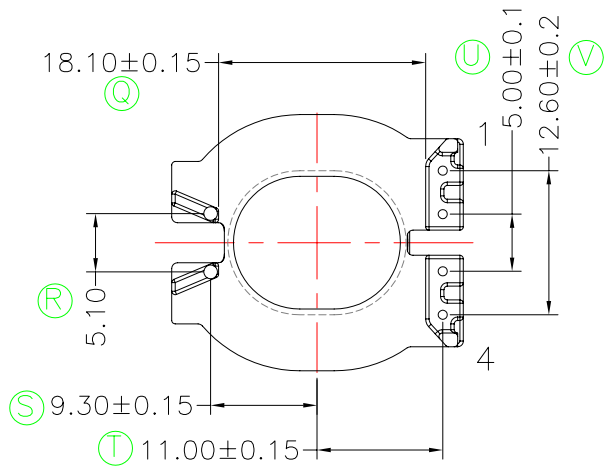
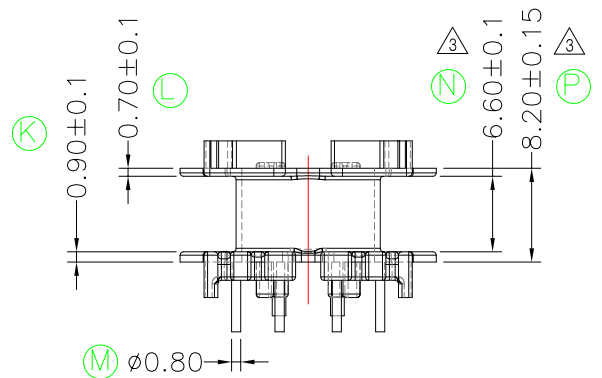
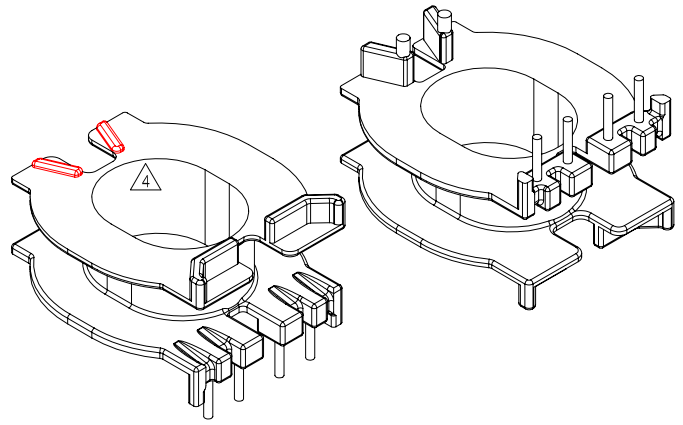
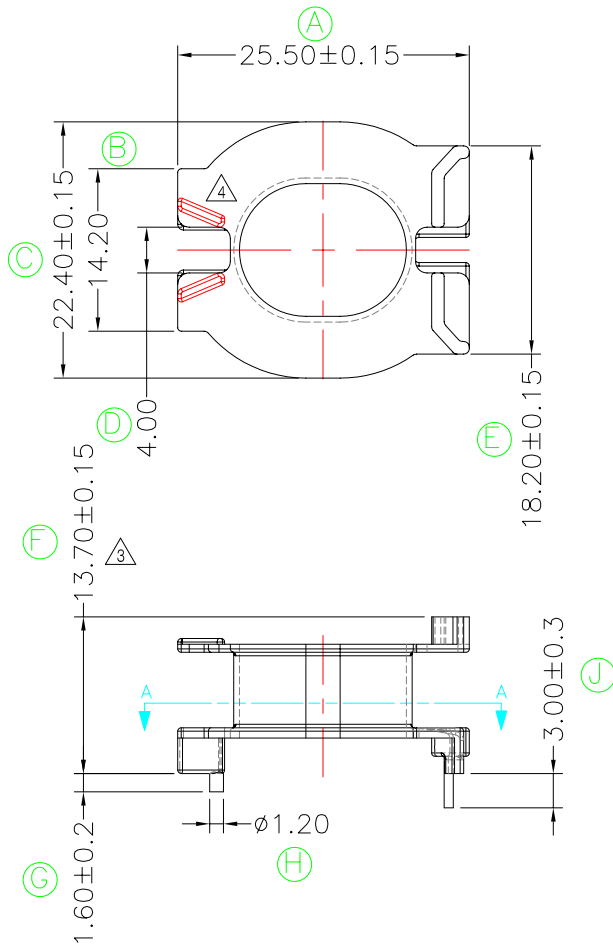




**TRANSFORMER BOBBIN
INDUSTRIAL CO.,LTD.**

Tel : 86-769-88789999 Fax : 86-769-88789999
http:// tbi-tw.com e-mail : tb6688@ms46.hinet.net

REVISIONS				
REV	SYM	DRAFTER	CHECKER	DATE
2		YAN.TANG	G.F.YANG	07/13/09
3		YAN.TANG	G.F.YANG	08/06/09
4		YAN.TANG	G.F.YANG	09/18/09



NOTE:
Winding Space=4.9*6.6=32.34mm²

DWG NO. ATQ27-15.1D-4P-TH-B7-12

PART NO.	MATERIAL (BOBBIN)	MATERIAL (TERMINAL)	TERMINAL (PLATING)	PIN ALLOCATION	NOTE
----------	-------------------	---------------------	--------------------	----------------	------

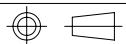
TBI-238-03271.1206

PM-9820

CP WIRE

Sn

ALL PIN



TOLERANCE: .XX±0.2 .XXX±0.1

UNIT : m / m

SCALE 1 : 1

Finish: 1. PB wire Immersion Sn on terminal : Thickness:Sn plating,100,5 μm (200 μ inches) min,Base nickel 0.625 μm (25 μ inches) min.
2. CP wire Immersion Sn on terminal : Thickness:Sn plating,100,5 μm (200 μ inches) min.
3. Coplanarity deviation: 0.10 mm (0.004 inches) max.

REV 4