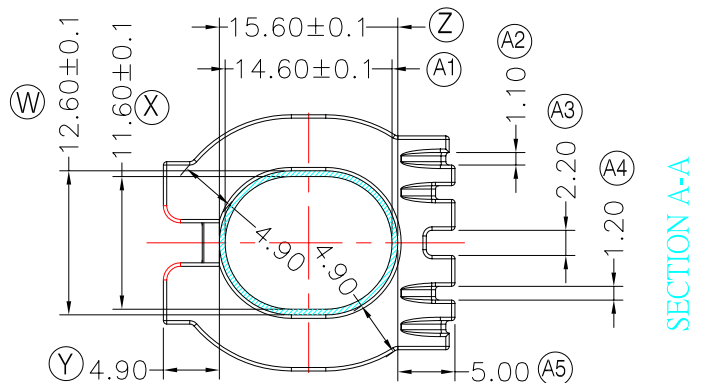
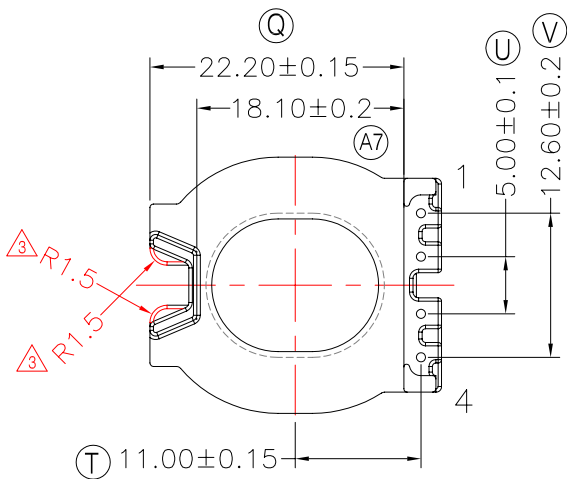
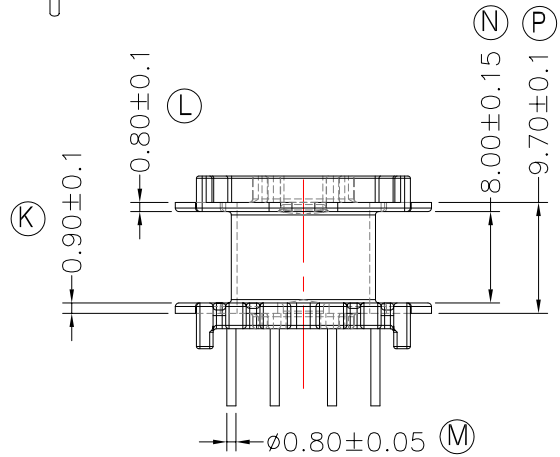
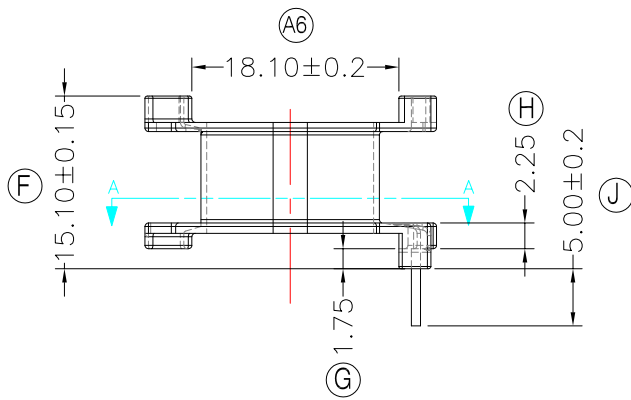
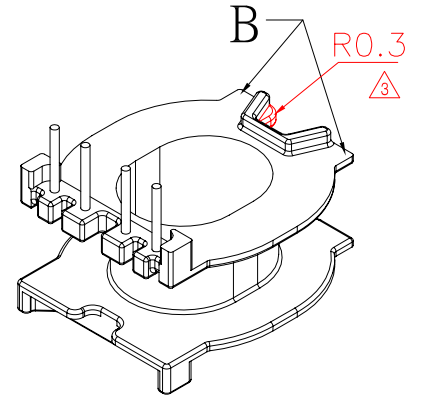
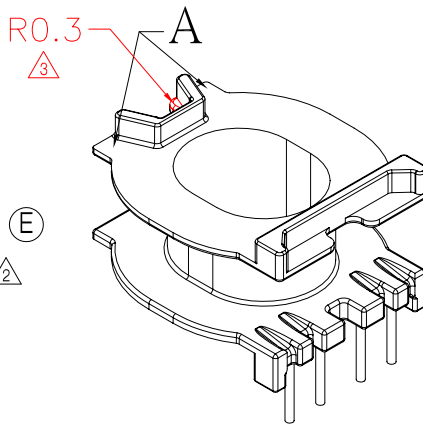
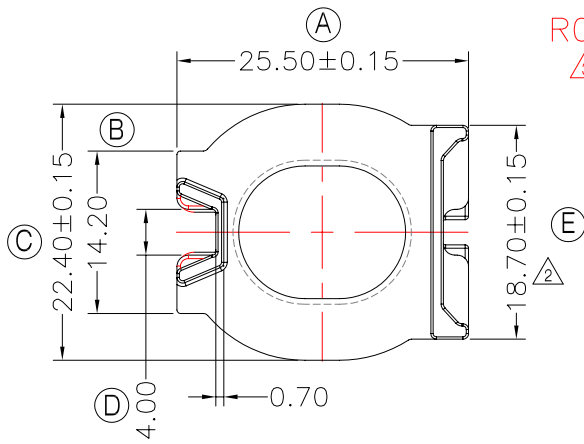




TRANSFORMER BOBBIN
INDUSTRIAL CO.,LTD.

Tel : 86-769-88789999 Fax : 86-769-88789989
http:// tbi-tw.com e-mail : tb6688@ms46.hinet.net

| REVISIONS | | | | |
|-----------|-----|----------|----------|----------|
| REV | SYM | DRAFTER | CHECKER | DATE |
| ① | | YAN.TANG | G.F.YANG | 01/16/10 |
| ② | | G.F.YANG | W.H.HSU | 04/02/10 |
| ③ | | X.H.GU | G.F.YANG | 08/07/13 |

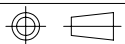


NOTE:

1. 焊錫前拉力 : 1.0Kg Min, 焊錫後拉力 : 1.5Kg Min.
2. 強度任意一點1.8Kg Min. (除特別指出的A.B兩點強度1.3Kg Min外).
3. Winding Space=4.9*8=39.2mm².

DWG NO. ATQ27-16-1-4P-TH-B6-15

| PART NO. | MATERIAL (BOBBIN) | MATERIAL (TERMINAL) | TERMINAL (PLATING) | PIN ALLOCATION | NOTE |
|--------------------|-------------------|---------------------|--------------------|----------------|------|
| TBI-238-03261.1506 | CPJ-8800 | CP WIRE | Sn | ALL PIN | S |
| TBI-238-03261.1516 | CPJ-8800 | CP WIRE | Sn | NO PIN#2,3 | H |



TOLERANCE: 0<L<=4:±0.1 4<L<=16:±0.2 16<L<=63:±0.3

UNIT : m / m

SCALE 1 : 1

Finish: 1. PB wire Immersion Sn on terminal : Thickness:Sn plating,100,5~10 μm (200~400 μ inches) , Base nickel 0.625~2 μm (25~80 inches) .
2. CP wire Immersion Sn on terminal : Thickness:Sn plating,100,5~10 μm (200~400 μ inches) .
3. Coplanarity deviation: 0.10 mm (0.004 inches) max.

REV 3