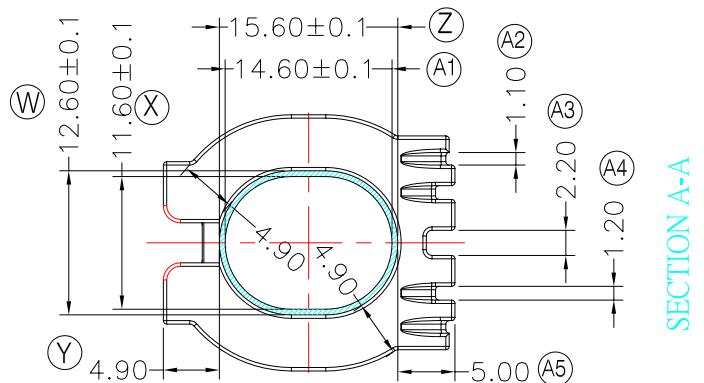
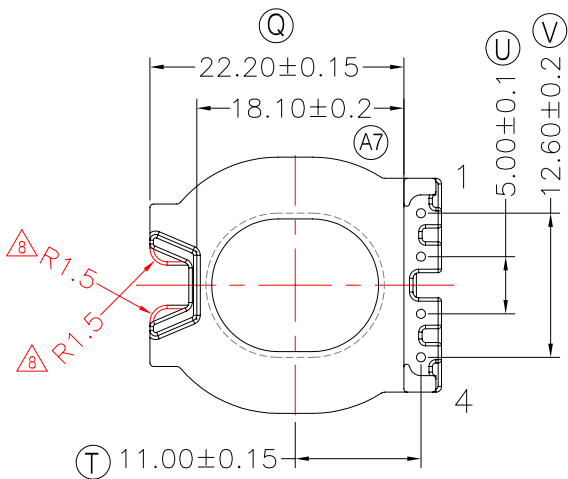
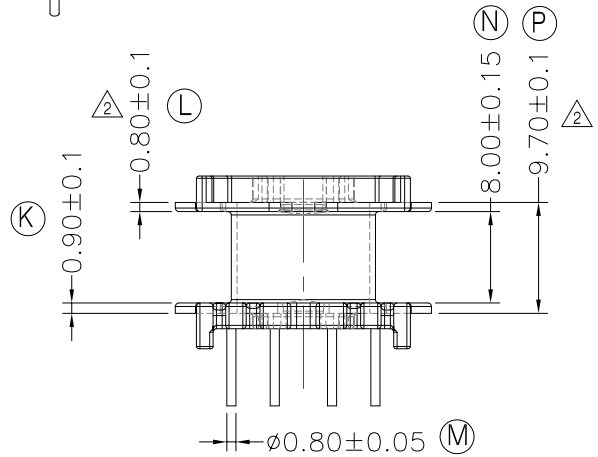
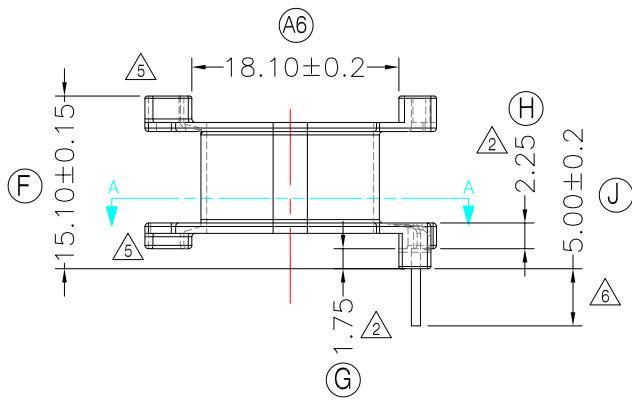
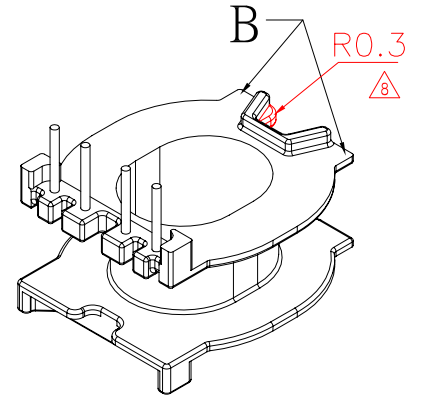
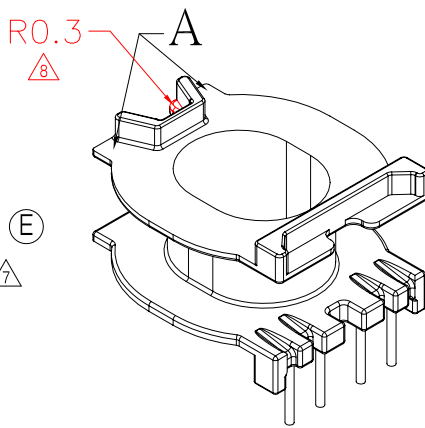
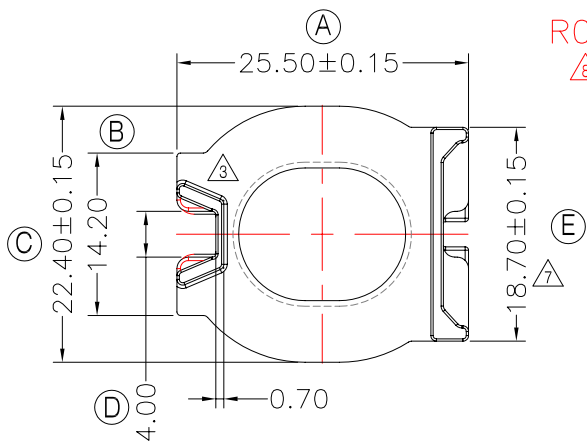




TRANSFORMER BOBBIN
INDUSTRIAL CO.,LTD.

Tel : 86-769-88789999 Fax : 86-769-88789989
http:// tbi-tw.com e-mail : tb6688@ms46.hinet.net

REVISIONS				
REV	SYM	DRAFTER	CHECKER	DATE
△6		YAN.TANG	G.F.YANG	12/15/09
△7		G.F.YANG	W.H.HSU	04/02/10
△8		X.H.GU	G.F.YANG	08/07/13



NOTE:

1. 焊錫前拉力 : 1.0Kg Min, 焊錫後拉力 : 1.5Kg Min.
2. 強度任意一點1.8Kg Min. (除特別指出的A.B兩點強度1.3Kg Min外).
3. Winding Space=4.9*8=39.2mm².

DWG NO. ATQ27-16-1-4P-TH-B6-12

PART NO.	MATERIAL (BOBBIN)	MATERIAL (TERMINAL)	TERMINAL (PLATING)	PIN ALLOCATION	NOTE
TBI-238-03261.1206	PM-9820	CP WIRE	Sn	ALL PIN	S
TBI-238-03261.1216	PM-9820	CP WIRE	Sn	NO PIN#2,3	H

TOLERANCE: 0<L<=4:±0.1 4<L<=16:±0.2 16<L<=63:±0.3

UNIT : m / m

SCALE 1 : 1

Finish: 1. PB wire Immersion Sn on terminal : Thickness:Sn plating,100,5~10 μm (200~400 μ inches) , Base nickel 0.625~2 μm (25~80 inches) .
2. CP wire Immersion Sn on terminal : Thickness:Sn plating,100,5~10 μm (200~400 μ inches) .
3. Coplanarity deviation: 0.10 mm (0.004 inches) max.

REV 8