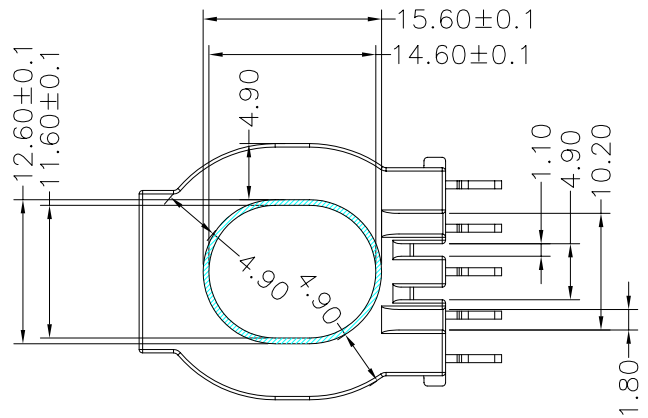
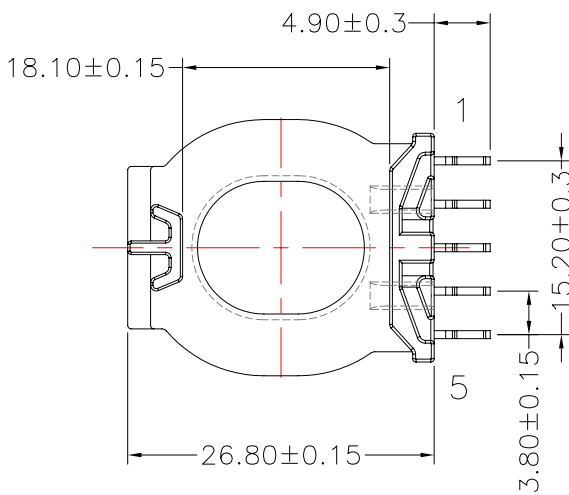
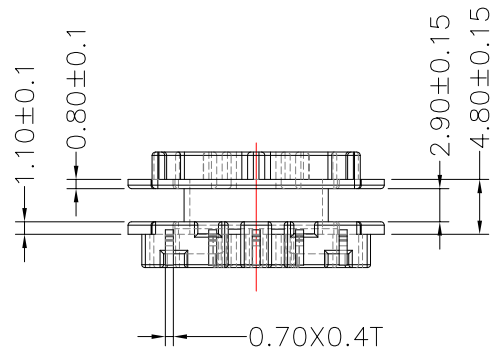
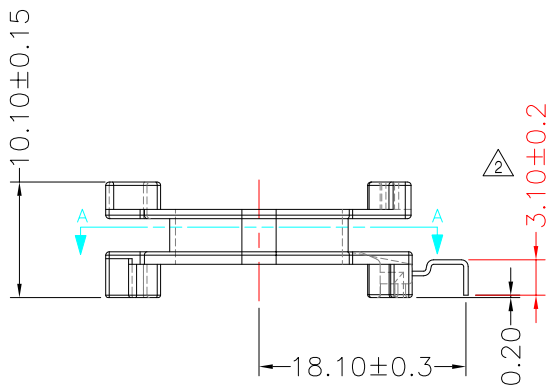
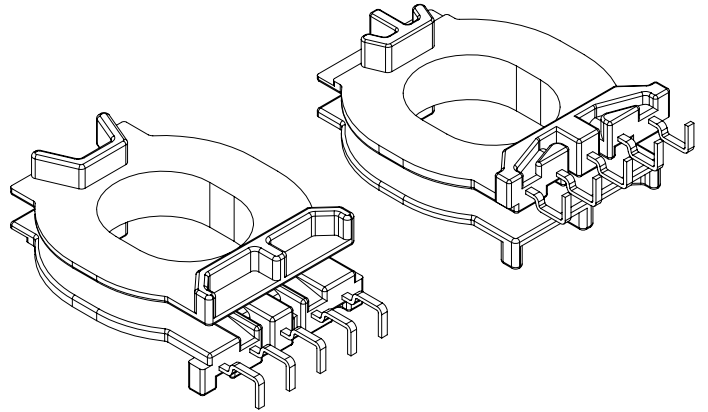
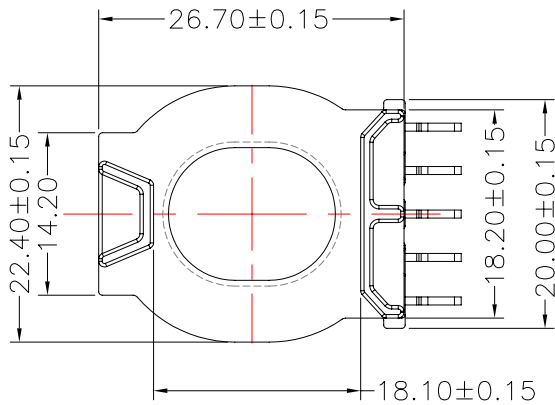




TRANSFORMER BOBBIN  
INDUSTRIAL CO.,LTD.

Tel: 86-769-88789999 Fax: 86-769-88789989  
http:// tbi-tw.com e-mail: tb6688@ms46.hinet.net

REVISIONS				
REV	SYM	DRAFTER	CHECKER	DATE
△1		YAN.TANG	G.F.YANG	04/03/09
△2		YAN.TANG	G.F.YANG	12/15/09
△3				



SECTION A-A

DWG NO. ATQ27-11.2-5P-THT-1B-11

PART NO. MATERIAL (BOBBIN) MATERIAL (TERMINAL) TERMINAL (PLATING) PIN ALLOCATION NOTE

TBI-238-03121.1106

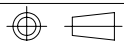
PM-9630

CP WIRE

Sn

ALL PIN

NOTE



TOLERANCE: .XX±0.2 .XXX±0.1

UNIT : m / m

SCALE 1:1

Finish: 1. PB wire Immersion Sn on terminal : Thickness:Sn plating,100,5 μ m (200 μ inches) min,Base nickel 0.625 μ m (25 μ inches) min.

2. CP wire Immersion Sn on terminal : Thickness:Sn plating,100,5 μ m (200 μ inches) min.

3. Coplanarity deviation: 0.10 mm (0.004 inches) max.

REV 2