

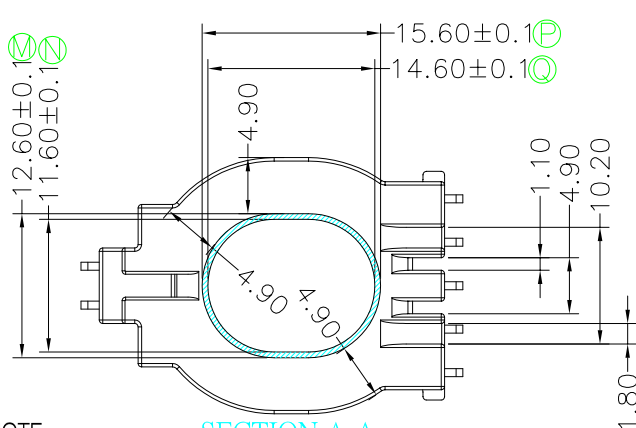
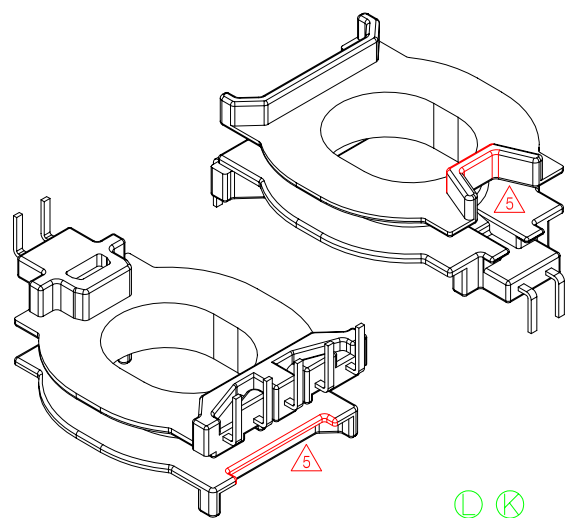
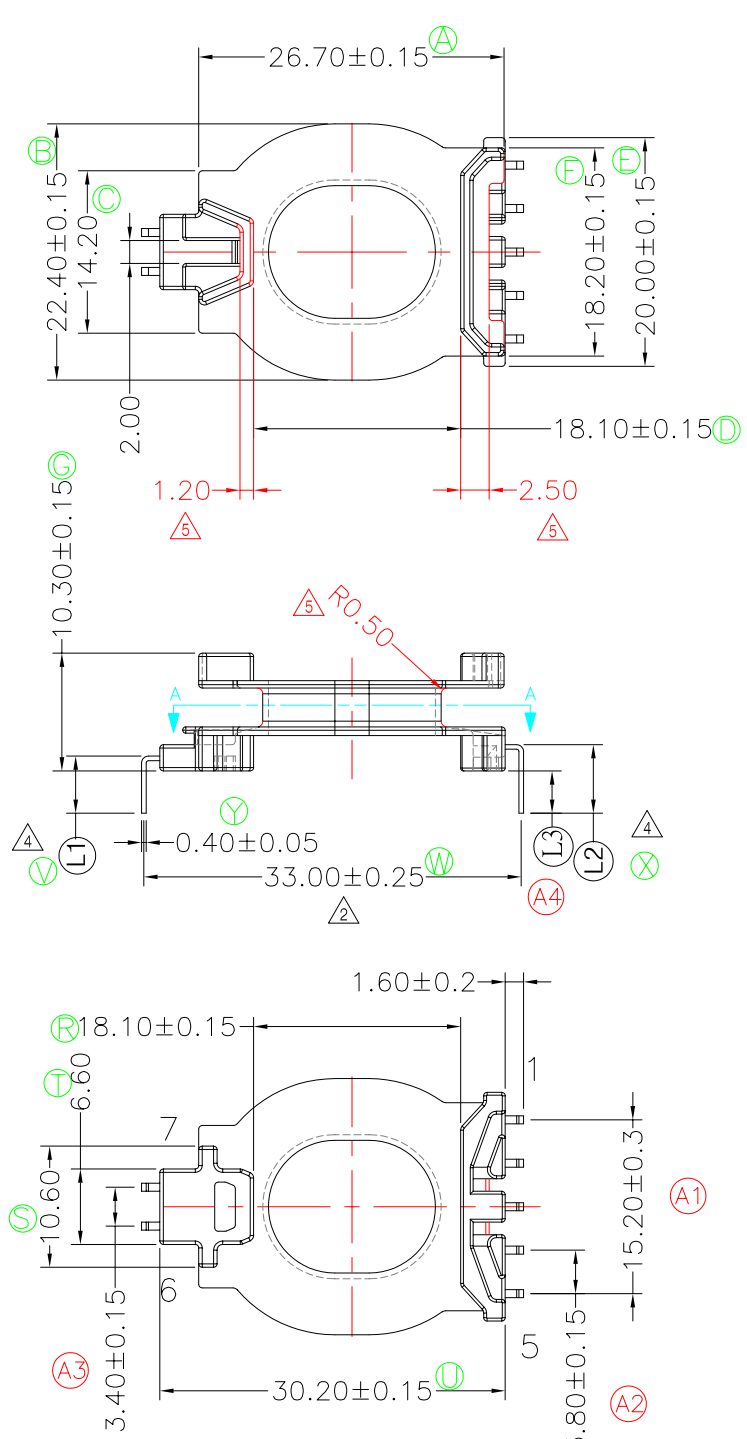


**TRANSFORMER BOBBIN  
INDUSTRIAL CO.,LTD.**

Tel : 86-769-88789999 Fax : 86-769-88789999  
http:// tbi-tw.com e-mail : tb6688@ms46.hinet.net

REVISIONS

REV	SYM	DRAFTER	CHECKER	DATE
3		G.F.YANG	W.H.HSU	05/15/09
4		G.F.YANG	W.H.HSU	07/27/10
5		F.LU	G.F.YANG	12/24/10



NOTE:  
SECTION A-A  
Winding Space=4.9\*3.4=16.66mm<sup>2</sup>  
任意一點強度須1.5kg MIN

DWG NO.	ATQ27-11-7P-THT-0H-11				
PART NO.	MATERIAL (BOBBIN)	MATERIAL (TERMINAL)	TERMINAL (PLATING)	PIN ALLOCATION	NOTE
TBI-238-03081.1106	PM-9630	CP WIRE	Sn	ALL PIN(L1)=5.0±0.3 (L2)=6.0±0.3(L3)=3.7±0.3	S
TBI-238-03081.1116	PM-9630	CP WIRE	Sn	ALL PIN(L1)=5.5±0.3 (L2)=6.5±0.3(L3)=4.2±0.3	H
TBI-238-03081.1126	PM-9630	CP WIRE	Sn	NO PIN#2,3,4(L1)=5.5±0.3 (L2)=6.5±0.3(L3)=4.2±0.3	
TBI-238-03081.1136	PM-9630	CP WIRE	Sn	NO PIN#3,4 (L1)=5.5±0.3 (L2)=6.5±0.3(L3)=4.2±0.3	
TBI-238-03081.1146	PM-9630	CP WIRE	Sn	NO PIN#2,3,4 (L1)=5.0±0.3 (L2)=6.0±0.3(L3)=3.7±0.3	

		TOLERANCE: .XX±0.2 .XXX±0.1	UNIT : m / m	SCALE 1 : 1
--	--	-----------------------------	--------------	-------------

Finish: 1. PB wire Immersion Sn on terminal : Thickness:Sn plating,100,5 μm (200 μ inches) min,Base nickel 0.625 μm (25 μ inches) min.  
2. CP wire Immersion Sn on terminal : Thickness:Sn plating,100,5 μm (200 μ inches) min.  
3. Coplanarity deviation: 0.10 mm (0.004 inches) max.

REV 5