

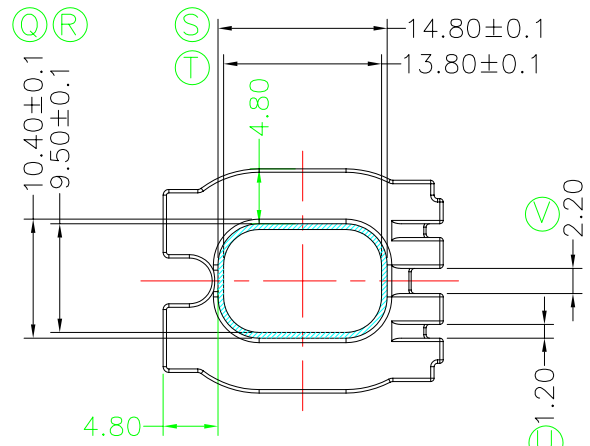
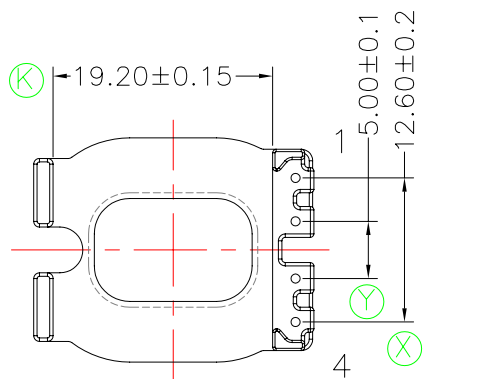
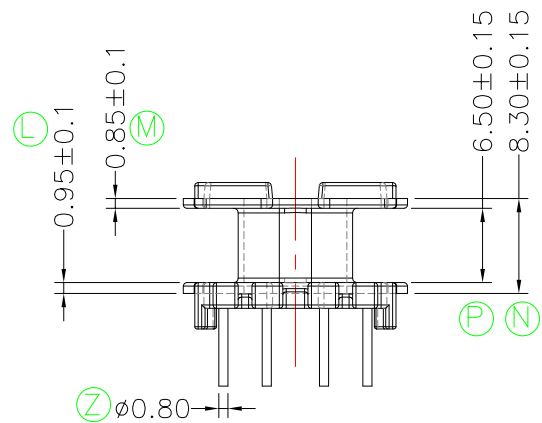
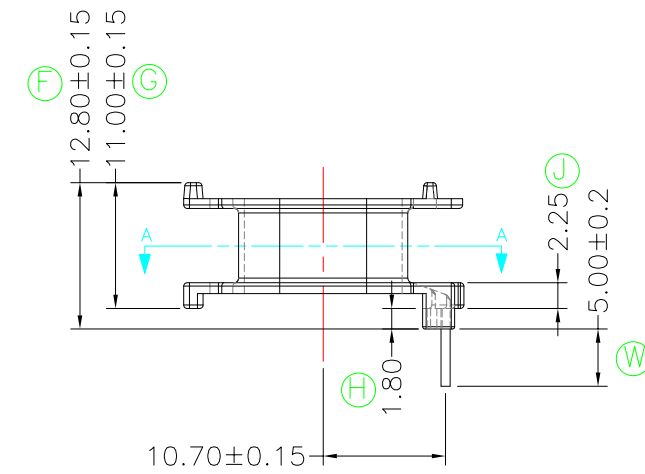
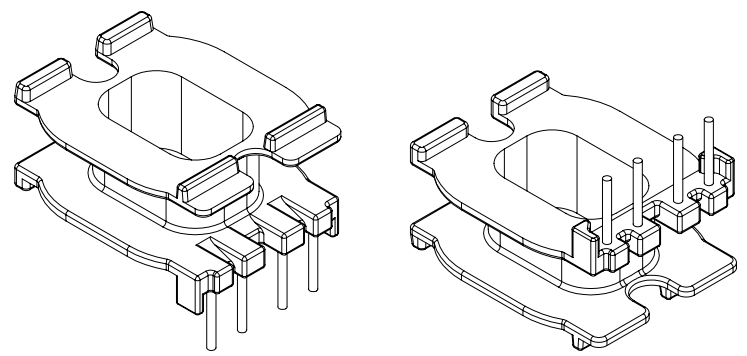
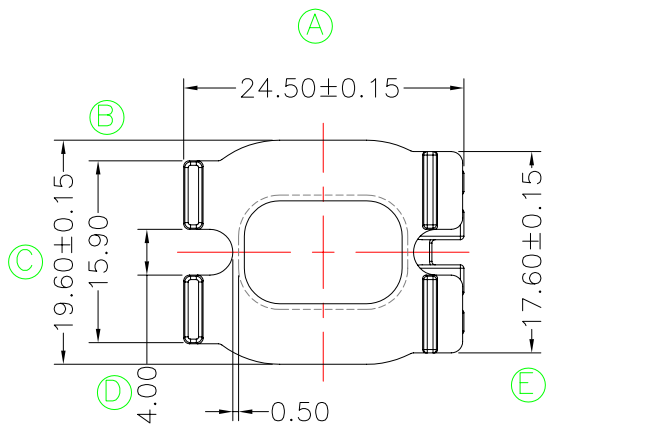


TRANSFORMER BOBBIN INDUSTRIAL CO.,LTD.

Tel: 86-769-88789999 Fax : 86-769-88789989
http:// tbi-tw.com e-mail : tb6688@ms46.hinet.net

REVISIONS

REV	SYM	DRAFTER	CHECKER	DATE
①		G.F.YANG	W.H.HSU	04/08/10
②				
③				



NOTE: $Winding\ Space = 6.5 * 4.8 = 31.2\text{mm}^2$

DWG NO. ATQ25-14.4G-4P-TH-A6-12

PART NO. MATERIAL (BOBBIN) MATERIAL (TERMINAL) TERMINAL (PLATING) PIN ALLOCATION NOTE

TBI-238-09161.1206	PM-9820	CP WIRE	Sn	ALL PIN	

TOLERANCE: .XX±0.2 .XXX±0.1 UNIT : m / m SCALE 1 : 1

Finish: 1. PB wire Immersion Sn on terminal : Thickness:Sn plating,100,5 μm (200 μ inches) min,Base nickel 0.625 μm (25 μ inches) min.
2. CP wire Immersion Sn on terminal : Thickness:Sn plating,100,5 μm (200 μ inches) min.
3. Coplanarity deviation: 0.10 mm (0.004 inches) max.

REV 1