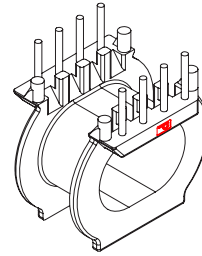
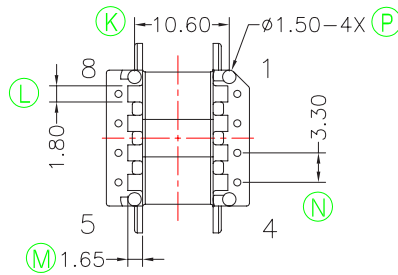
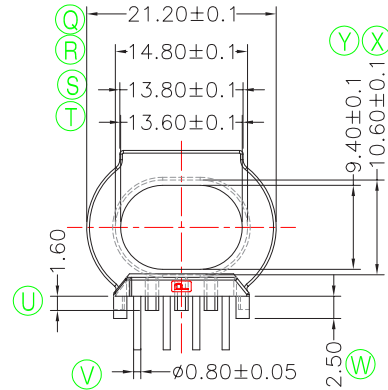
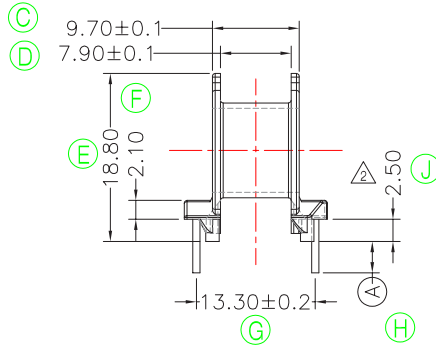
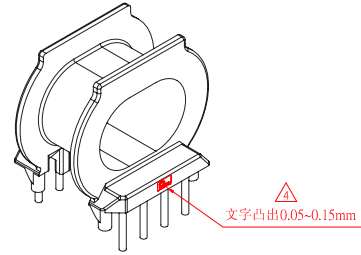
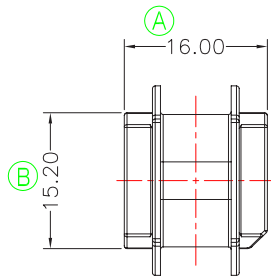




TRANSFORMER BOBBIN
INDUSTRIAL CO.,LTD.

Tel : 86-769-88789999 Fax : 86-769-88789989
http:// tbi-tw.com e-mail : tb6688@ms46.hinet.net

REVISIONS				
REV	SYM	DRAFTER	CHECKER	DATE
△		YAN.TANG	G.F.YANG	08/14/09
△		YAN.TANG	G.F.YANG	11/20/09
△		X.H.GU	G.F.YANG	11/07/16



DWG NO.	ATQ25-16-8P-TH-3.3-A-12				
PART NO.	MATERIAL (BOBBIN)	MATERIAL (TERMINAL)	TERMINAL (PLATING)	PIN ALLOCATION	NOTE
TBI-238-09011.1206	PM-9820	CP WIRE	Sn	ALL PIN (A)=3.5±0.3	H
TBI-238-09011.1216	PM-9820	CP WIRE	Sn	CUT PIN#1,3,5,8 (A)=3.5±0.3	
TBI-238-09011.1226	PM-9820	CP WIRE	Sn	CUT PIN#2,4,5,6,7 (A)=3.5±0.3	
△ TBI-238-09011.1236	PM-9820	CP WIRE	Sn	CUT PIN#2,4,5,6,7 (A)=3.2±0.2	△
△ TBI-238-09011.1246	PM-9820	CP WIRE	Sn	CUT PIN#2,4,5,6,7 (A)=5.0±0.5	暫無刀模
F TBI-238-09011.1256	PM-9820	CP WIRE	Sn	CUT PIN#2,4,5,6,7 (A)=3.7±0.2	
TBI-238-09011.1266	PM-9820	CP WIRE	Sn	ALL PIN (A)=3.2±0.2	
TBI-238-09011.1276	PM-9820	CP WIRE	Sn	CUT PIN#5,6,7,8 (A)=3.5±0.3	
TBI-238-09011.1286	PM-9820	CP WIRE	Sn	ALL PIN (A)=5.0±0.5	暫無刀模
TBI-238-09011.1296	PM-9820	CP WIRE	Sn	CUT PIN#2,3,6,7 (A)=3.2±0.2	
TBI-238-09011.12A6	PM-9820	CP WIRE	Sn	CUT PIN#2,3,4,7,8 (A)=3.2±0.2	
TBI-238-09011.12B6	PM-9820	CP WIRE	Sn	CUT PIN#2,3,5,6,7 (A)=3.2±0.2	
TBI-238-09011.12C6	PM-9820	CP WIRE	Sn	CUT PIN#4,5,6,7 (A)=3.7±0.2	
TBI-238-09011.12D6	PM-9820	CP WIRE	Sn	CUT PIN#2,4,5,6,7 (A)=3.7±0.2	咬花外露規格: 深度 0.07+0.05/-0.02 高度 1.7±0.3
TBI-238-09011.12E6	PM-9820	CP WIRE	Sn	CUT PIN#4,5,6,7 (A)=3.7±0.2	
TBI-238-09011.12F6	PM-9820	CP WIRE	Sn	CUT PIN#2,4,5,6,7 (A)=3.5±0.2	
TBI-238-09011.12G6	PM-9820	CP WIRE	Sn	CUT PIN#2,4,6,7 (A)=3.7±0.2	
TBI-238-09011.12H6	PM-9820	CP WIRE	Sn	CUT PIN#2,4,5,6,7 (A)=5.0±0.2	
TBI-238-09011.12J6	PM-9820	CP WIRE	Sn	CUT PIN#2,4,5,6,7 (A)=3.2±0.2	
TBI-238-09011.12K6	PM-9820	CP WIRE	Sn	CUT PIN#4,5,6,7 (A)=5.0±0.5	
TOLERANCE: 0<L<=4:±0.1 4<L<=16:±0.2 16<L<=63:±0.3				UNIT : m / m	SCALE 1 : 1

Finish: 1. PB wire Immersion Sn on terminal : Thickness:Sn plating,100.5 μm (200 μ inches) min,Base nickel 0.625 μm (25 μ inches) min.
2. CP wire Immersion Sn on terminal : Thickness:Sn plating,100.5 μm (200 μ inches) min.
3. Coplanarity deviation: 0.10 mm (0.004 inches)max.

REV 4