

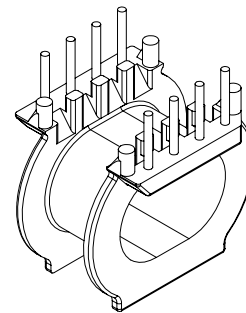
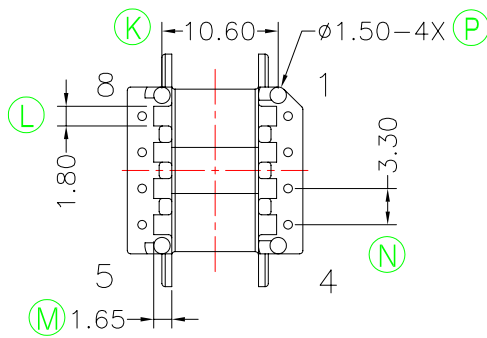
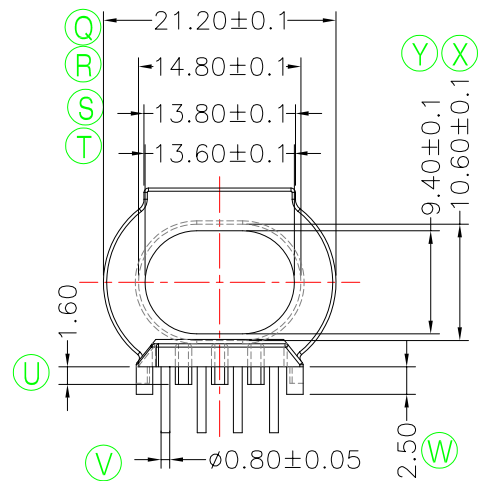
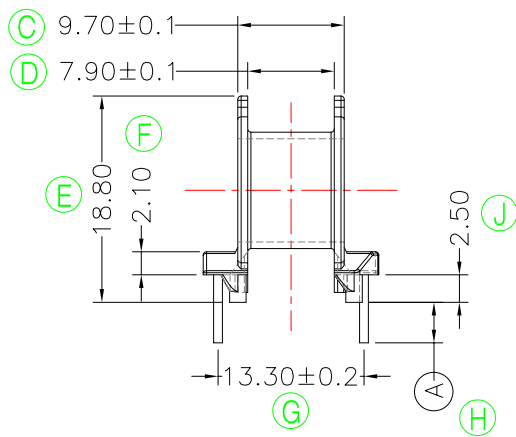
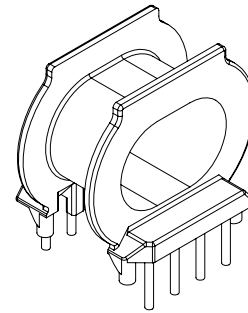
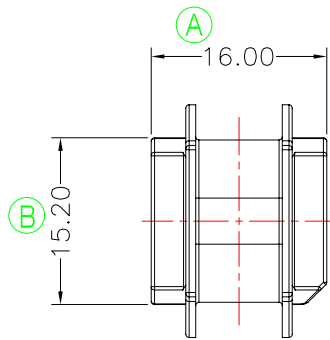


**TRANSFORMER BOBBIN
INDUSTRIAL CO.,LTD.**

Tel : 86-769-88789999 Fax : 86-769-88789989
http:// tbi-tw.com e-mail : tb6688@ms46.hinet.net

REVISIONS

REV	SYM	DRAFTER	CHECKER	DATE
1		X.X.YUAN	G.F.YANG	11/28/14
2				
3				



DWG NO. ATQ25-16-8P-TH-3.3-A-11

PART NO.	MATERIAL (BOBBIN)	MATERIAL (TERMINAL)	TERMINAL (PLATING)	PIN ALLOCATION	NOTE
TBI-238-09011.1106	PM-9630	CP WIRE	Sn	ALL PIN (A)=3.7±0.2	打點外露規格: 高度 1.7±0.3 深度 0.07+0.05/-0.02
TBI-238-09011.1116	PM-9630	CP WIRE	Sn	CUT PIN#2,4,5,6,7(A)=3.7±0.2	
TBI-238-09011.1126	PM-9630	CP WIRE	Sn	CUT PIN#2,4,5,6,7(A)=3.7±0.2	咬花外露規格如上
TBI-238-09011.1136	PM-9630	CP WIRE	Sn	CUT PIN#2,3,5,6,7(A)=3.2±0.2	
TBI-238-09011.1146	PM-9630	CP WIRE	Sn	CUT PIN#2,4,5,6,7(A)=5.0±0.5	

TOLERANCE: 0<L<=4:±0.1 4<L<=16:±0.2 16<L<=63:±0.3 UNIT : m / m SCALE 1 : 1

Finish: 1. PB wire Immersion Sn on terminal : Thickness:Sn plating,100,5 μm (200 μ inches) min,Base nickel 0.625 μm (25 μ inches) min.
2. CP wire Immersion Sn on terminal : Thickness:Sn plating,100,5 μm (200 μ inches) min.
3. Coplanarity deviation: 0.10 mm (0.004 inches) max.

REV 1