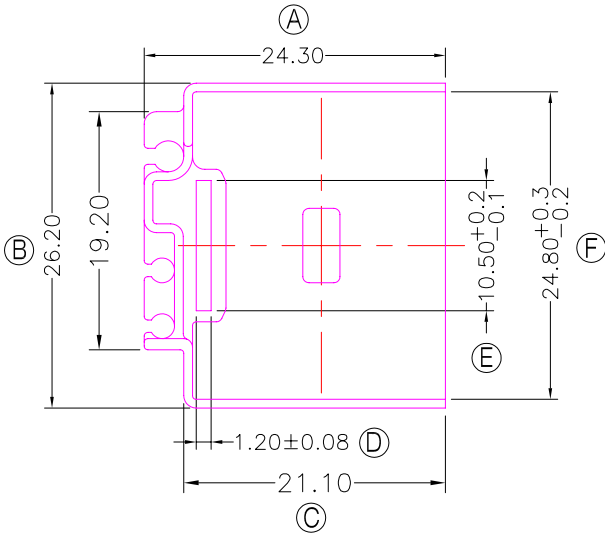




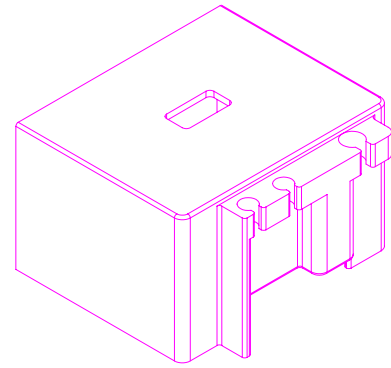
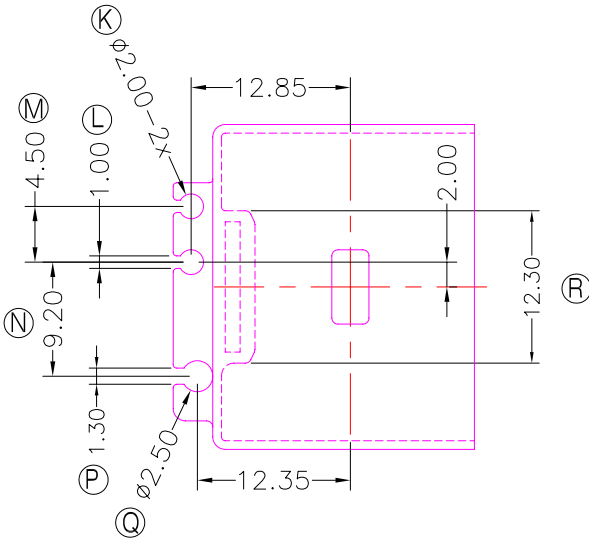
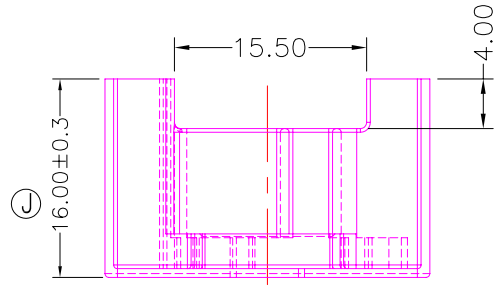
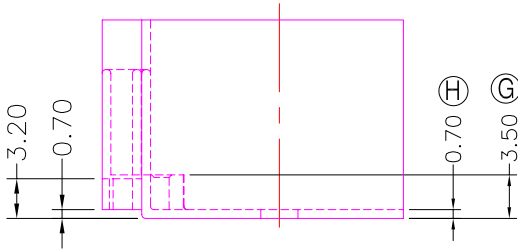
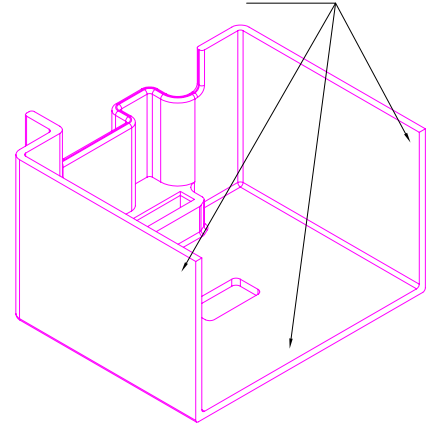
TRANSFORMER BOBBIN INDUSTRIAL CO.,LTD.

Tel : 86-769-88789999 Fax : 86-769-88789999
 http:// tbi-tw.com e-mail : tb6688@ms46.hinet.net

REVISIONS				
REV	SYM	DRAFTER	CHECKER	DATE
1		X.H.GU	G.F.YANG	06/04/16
2				
3				



A 強度1.3Kg MIN



NOTE:

1.耐壓4.0Kv /1.5mA 60S;

2.任一點的強度為1.8kg MIN, 其中.A.處為1.3kg MIN

與TBI-238-01501.12XX(ATQ24-17A-5P-TH-E0-12)配套使用;

DWG NO. ATQ24-17A-CASE-F3-17

PART NO.	MATERIAL (BOBBIN)	MATERIAL (TERMINAL)	TERMINAL (PLATING)	PIN ALLOCATION	NOTE
TBI-238-01631.17C	PM-9823	NA			S
TOLERANCE: 0<L<=4:±0.1 4<L<=16:±0.2 16<L<=63:±0.3				UNIT : m / m	SCALE 1 : 1

Finish: 1. PB wire Immersion Sn on terminal : Thickness:Sn plating, 100%, 5 μm (200 μ inches) min, Base nickel 0.625 μm (25 μ inches) min.

2. CP wire Immersion Sn on terminal : Thickness:Sn plating, 100%, 5 μm (200 μ inches) min.

3. Coplanarity deviation: 0.10 mm (0.004 inches) max.

REV 1