

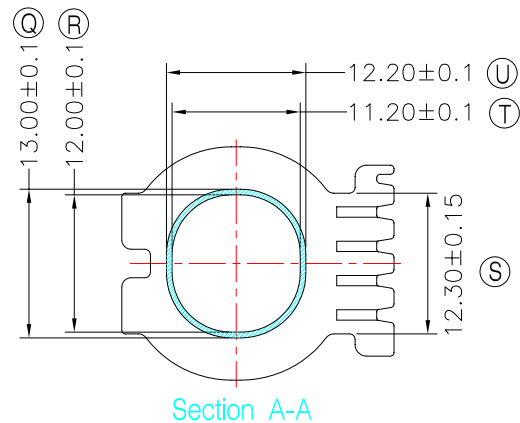
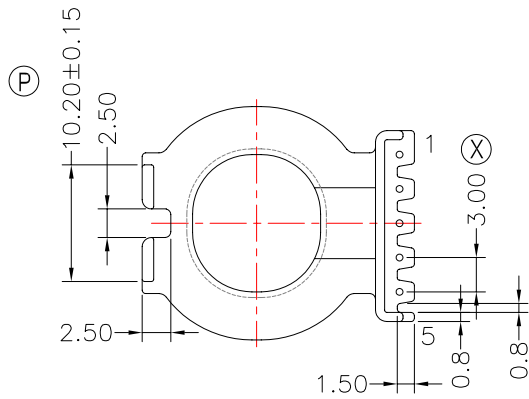
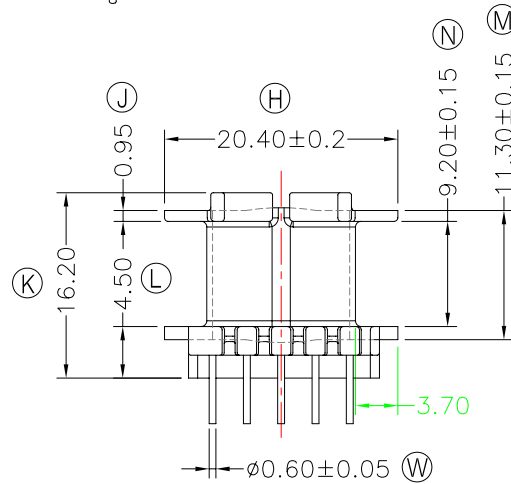
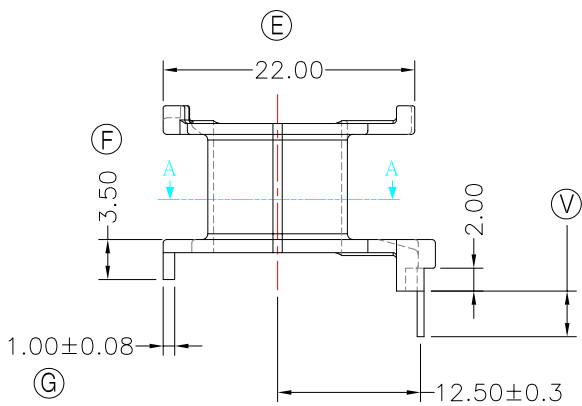
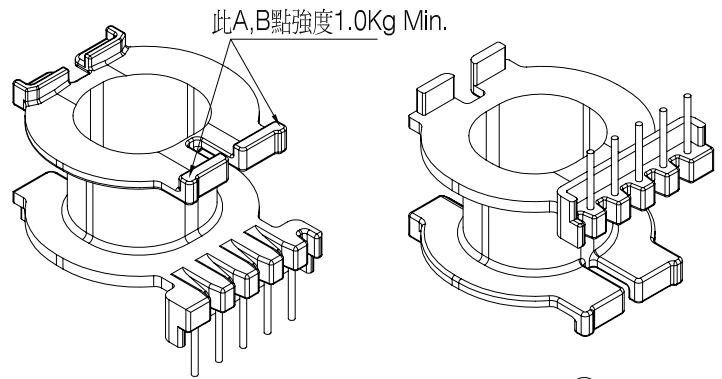
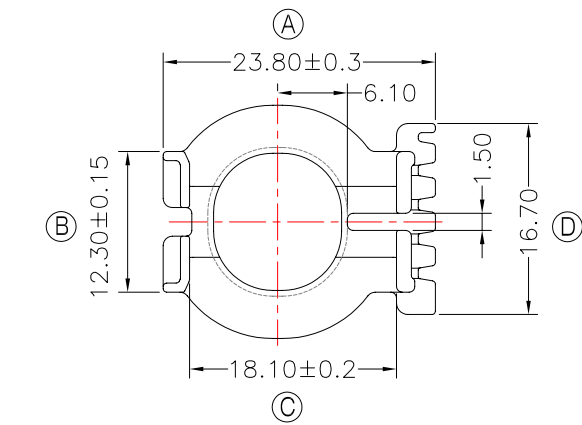


TRANSFORMER BOBBIN
INDUSTRIAL CO.,LTD.

Tel : 86-769-88789999 Fax : 86-769-88789989
http:// tbi-tw.com e-mail : tb6688@ms46.hinet.net

REVISIONS

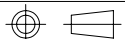
REV	SYM	DRAFTER	CHECKER	DATE
1		M.WANG	G.F.YANG	07/12/16
2				
3				



NOTE:

1. 焊錫前拉力:1.0KG MIN, 焊錫後拉力:1.5KG MIN;
2. 任意一點強度須1.8kg MIN;(除了特別指出外)
3. WINDING SPACE: 9.2mm*3.7mm=34.04mm²

DWG NO.	ATQ24-17A-5P-TH-E0-17				
PART NO.	MATERIAL (BOBBIN)	MATERIAL (TERMINAL)	TERMINAL (PLATING)	PIN ALLOCATION	NOTE
TBI-238-01501.1706	PM-9823	CP WIRE	Sn	ALL PIN (V) =5.0±0.2	S
TBI-238-01501.1716	PM-9823	CP WIRE	Sn	CUT PIN #2 (V) =5.5±0.2	H
TBI-238-01501.1726	PM-9823	CP WIRE	Sn	CUT PIN #2 (V) =5.0±0.2	



TOLERANCE: 0<L<=4:±0.1 4<L<=16:±0.2 16<L<=63:±0.3

UNIT : m / m

SCALE 1 : 1

Finish: 1. PB wire Immersion Sn on terminal : Thickness:Sn plating,100%,5 μm (200 μ inches) min,Base nickel 0.625 μm (25 μ inches) min.
2. CP wire Immersion Sn on terminal : Thickness:Sn plating,100%,5 μm (200 μ inches) min.
3. Coplanarity deviation: 0.10 mm (0.004 inches) max.

REV 1