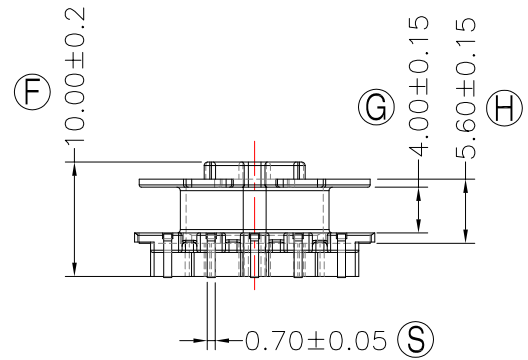
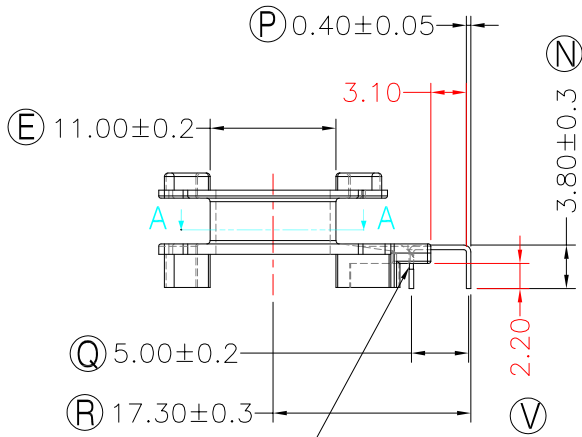
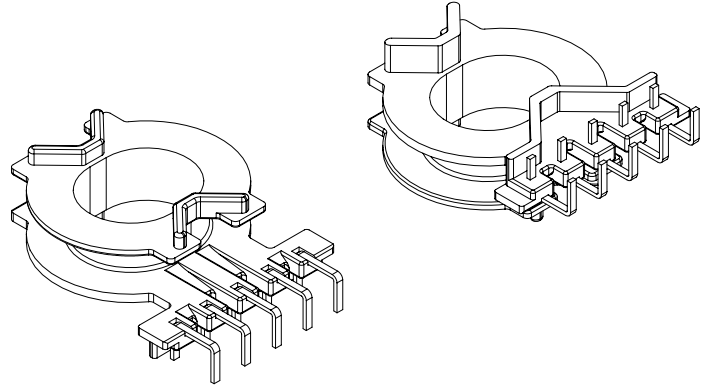
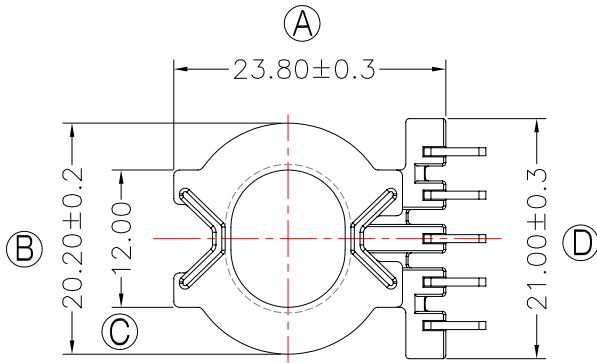




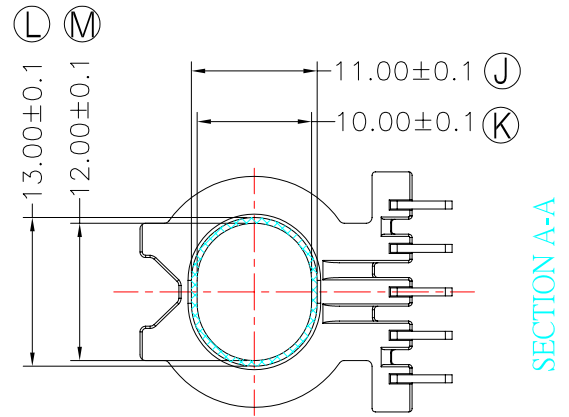
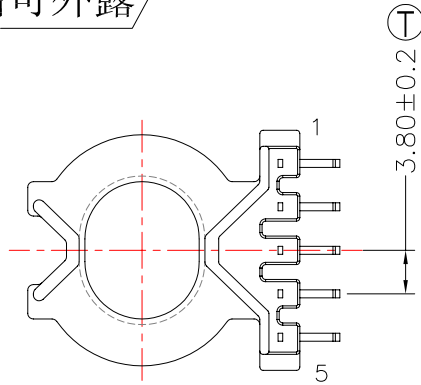
TRANSFORMER BOBBIN
INDUSTRIAL CO.,LTD.

Tel : 86-769-88789999 Fax : 86-769-88789989
http:// tbi-tw.com e-mail : tb6688@ms46.hinet.net

REVISIONS				
REV	SYM	DRAFTER	CHECKER	DATE
△1		H.X.DUAN	G.F.YANG	08/20/12
△2		H.X.DUAN	G.F.YANG	10/05/12
△3				

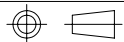


打點可外露



1. 推力0.8 MIN;
2. 在制做成品變壓器時PIN腳需點膠固定;

DWG NO.	ATQ24-11-5P-TU-D1-11 △2				
PART NO.	MATERIAL (BOBBIN)	MATERIAL (TERMINAL)	TERMINAL (PLATING)	PIN ALLOCATION	NOTE
TBI-238-01411.1106	PM-9630	C.P WIRE	Sn	ALL PIN	S



TOLERANCE: 0<L≤4:±0.1 4<L≤16:±0.2 16<L≤63:±0.3

UNIT : m / m

SCALE 1 : 1

Finish: 1. PB wire Immersion Sn on terminal : Thickness:Sn plating,100,5 μm (200 μ inches) min,Base nickel 0.625 μm (25 μ inches) min.
2. CP wire Immersion Sn on terminal : Thickness:Sn plating,100,5 μm (200 μ inches) min.
3. Coplanarity deviation: 0.10 mm (0.004 inches) max.

REV 2