

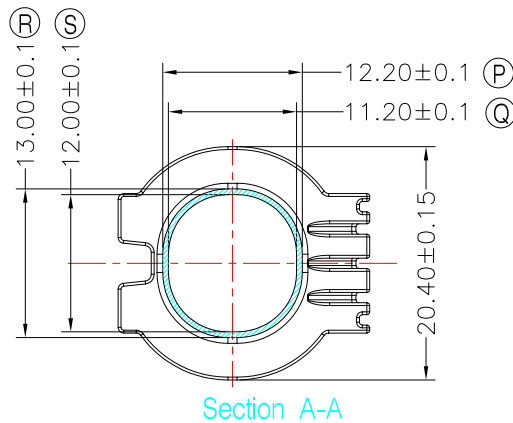
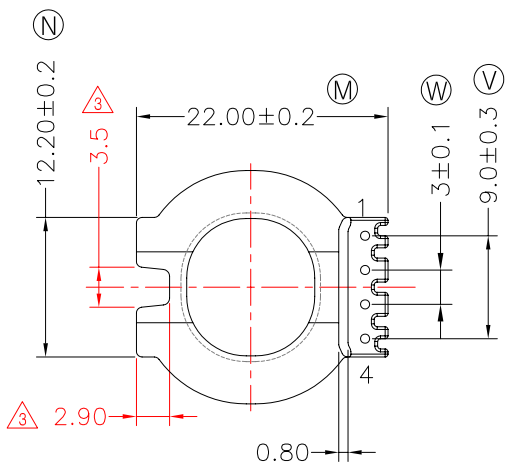
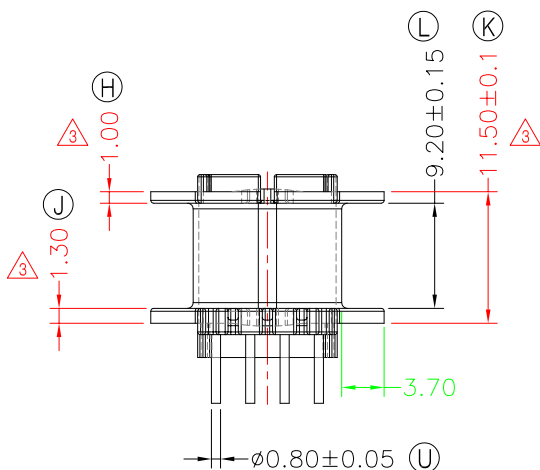
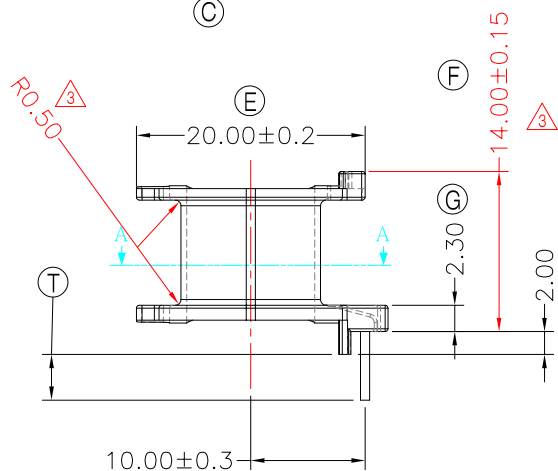
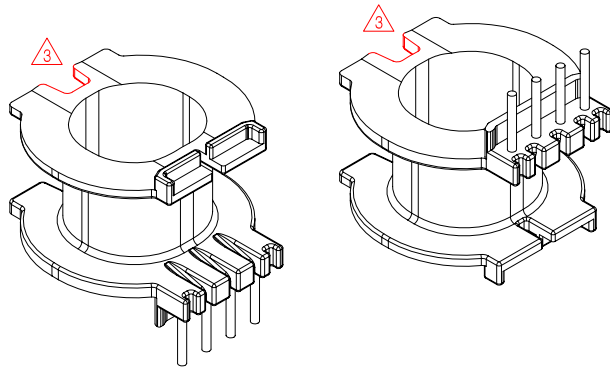
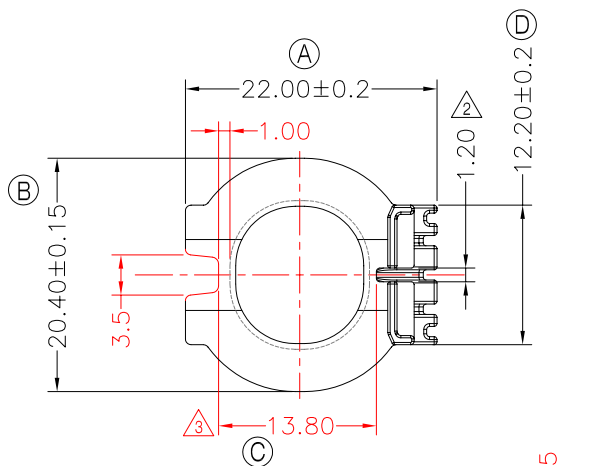


TRANSFORMER BOBBIN INDUSTRIAL CO., LTD.

Tel : 86-769-88789999 Fax : 86-769-88789989
 http:// tbi-tw.com e-mail : tb6688@ms46.hinet.net

REVISIONS

REV	SYM	DRAFTER	CHECKER	DATE
1		F.LU	G.F.YANG	04/19/12
2		X.H.GU	G.F.YANG	05/29/12
3		X.H.GU	G.F.YANG	07/18/12

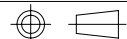


Section A-A

NOTE:

- 1.WINDING SPACE: 9.2mm*3.7mm=34.04mm²
2. PIN TENSION LOAD: 1.5KG MIN
3. 任一點的強度為2.0KgMIN,其中頂部葉片處為1.8Kg MIN;

DWG NO.	ATQ24-17A-4P-TH-C7-12				
PART NO.	MATERIAL (BOBBIN)	MATERIAL (TERMINAL)	TERMINAL (PLATING)	PIN ALLOCATION	NOTE
TBI-238-01371.1206	PM-9820	CP WIRE	Sn	ALL PIN (T) = 4.0±0.2	S
TBI-238-01371.1216	PM-9820	CP WIRE	Sn	ALL PIN (T) = 5.0±0.2	無刀模(內) H



TOLERANCE: 0<L<=4:±0.1 4<L<=16:±0.2 16<L<=63:±0.3

UNIT : m / m

SCALE 1 : 1

Finish: 1. PB wire Immersion Sn on terminal : Thickness:Sn plating,100,5 μ m (200 μ inches) min,Base nickel 0.625 μ m (25 μ inches) min.
 2. CP wire Immersion Sn on terminal : Thickness:Sn plating,100,5 μ m (200 μ inches) min.
 3. Coplanarity deviation: 0.10 mm (0.004 inches) max.

REV 3