

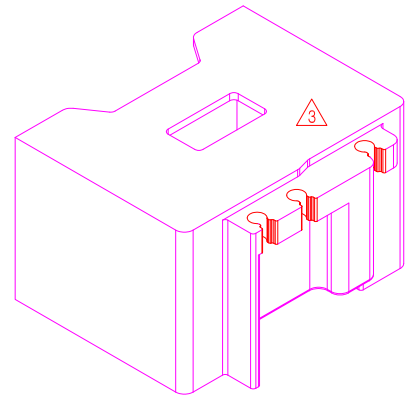
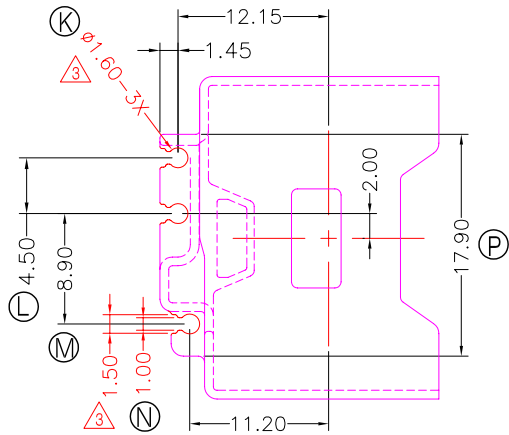
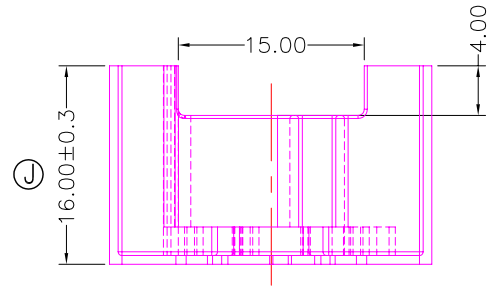
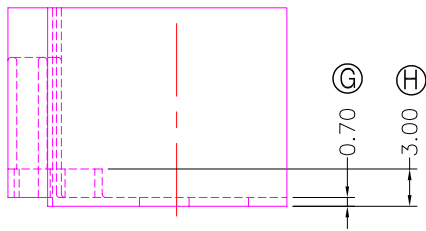
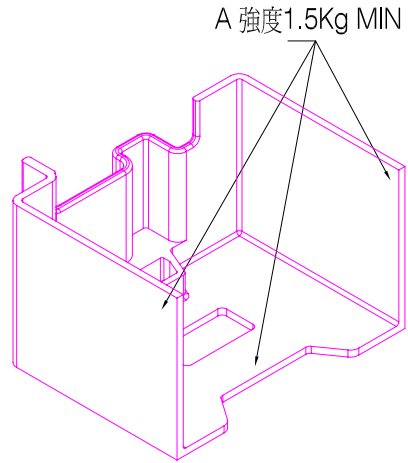
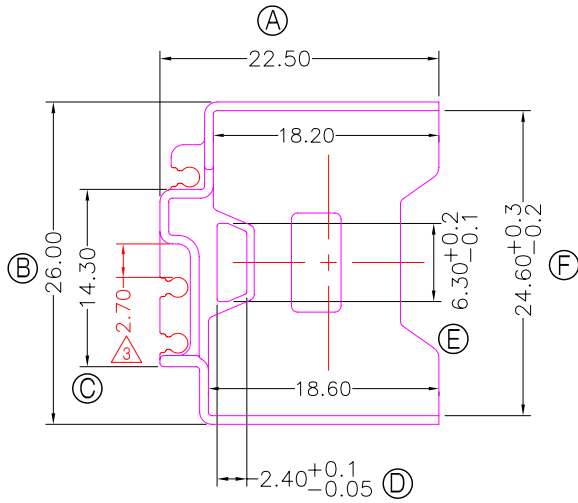


TRANSFORMER BOBBIN
INDUSTRIAL CO.,LTD.

Tel : 86-769-88789999 Fax : 86-769-88789989
http:// tbi-tw.com e-mail : tb6688@ms46.hinet.net

REVISIONS

REV	SYM	DRAFTER	CHECKER	DATE
①		X.H.GU	G.F.YANG	09/30/15
②		X.H.GU	G.F.YANG	10/22/15
③		F.LU	G.F.YANG	05/31/16



NOTE:

- 1.耐壓4.0Kv /1.5mA 60S;
- 2.任一點的強度為1.8kg MIN, 其中.A.處為1.5kg MIN

與TBI-238-10411.11XX(ATQ23.7-16.7A-7P-TH-D1-11)配套使用;

DWG NO. ATQ23.7-16.7A-CASE-D7-11

PART NO.	MATERIAL (BOBBIN)	MATERIAL (TERMINAL)	TERMINAL (PLATING)	PIN ALLOCATION	NOTE
TBI-238-10471.11C	PM-9630	NA			S
					H



TOLERANCE:0<L<=4:±0.1 4<L<=16:±0.2 16<L<=63:±0.3

UNIT : m / m

SCALE 1 : 1

Finish: 1. PB wire Immersion Sn on terminal : Thickness:Sn plating,100%,5 μm (200 μ inches) min,Base nickel 0.625 μm (25 μ inches) min.
2. CP wire Immersion Sn on terminal : Thickness:Sn plating,100%,5 μm (200 μ inches) min.
3. Coplanarity deviation: 0.10 mm (0.004 inches) max.

REV 3