

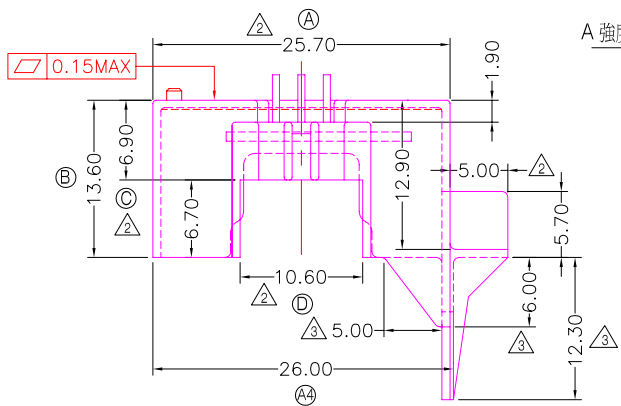


TRANSFORMER BOBBIN
INDUSTRIAL CO.,LTD.

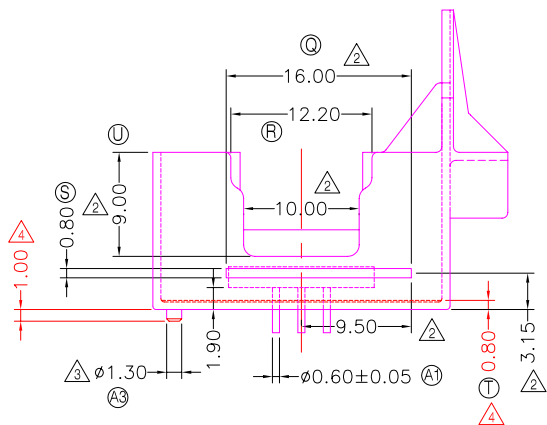
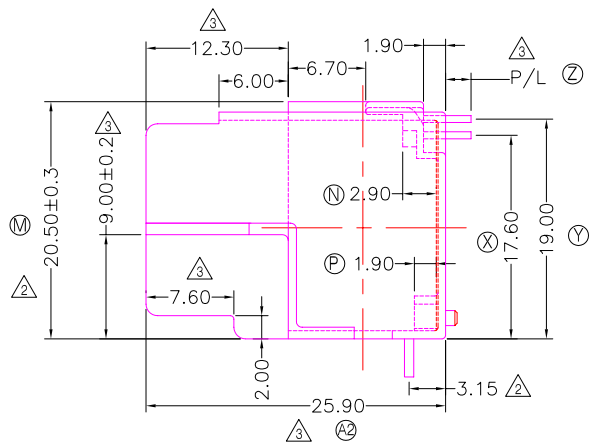
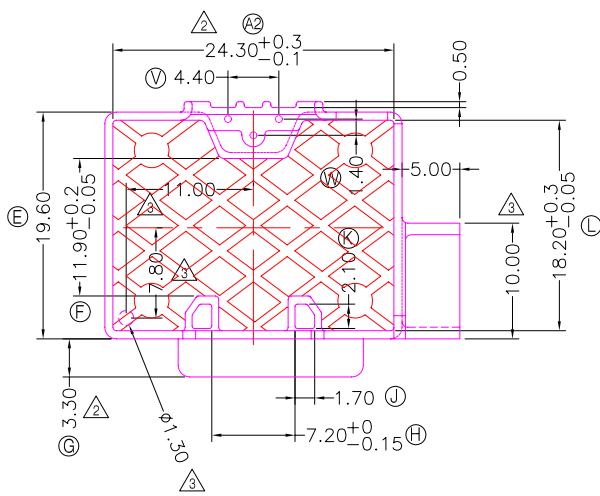
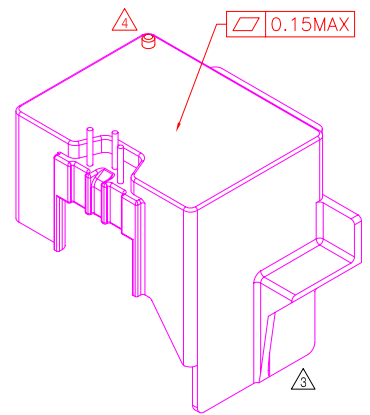
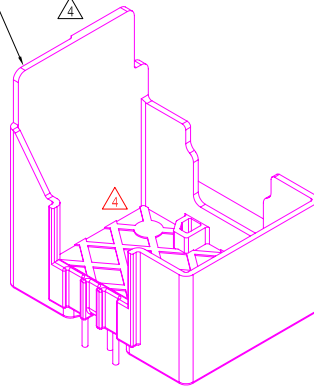
Tel : 86-769-88789999 Fax : 86-769-88789999
http:// tbi-tw.com e-mail : tb6688@ms46.hinet.net

REVISIONS

REV	SYM	DRAFTER	CHECKER	DATE
2		X.H.GU	G.F.YANG	10/15/15
3		X.H.GU	G.F.YANG	11/16/15
4		X.H.GU	G.F.YANG	11/27/15



A強度1.0kg MIN



NOTE:

- 1.耐壓4.0Kv /1.5mA 60S;
- 2.焊錫溫度:450°±10° 3SEC
- 3.任一點的強度為1.5kg MIN, 其中.A.處為1.0kg MIN
- 4.焊錫前拉力:1.0KG MIN,焊錫後拉力:1.5KG MIN;

與TBI-238-10431.11XX(ATQ23.7-12.9A-6P-TH-D3-11)配套使用;

DWG NO. ATQ23.7-12.9A-3P-CASE-D4-11

PART NO.	MATERIAL (BOBBIN)	MATERIAL (TERMINAL)	TERMINAL (PLATING)	PIN ALLOCATION	NOTE
TBI-238-10441.1106	PM-9630	CP WIRE	Sn	ALL PIN P/L=2.2±0.2	S
TBI-238-10441.1116	PM-9630	CP WIRE	Sn	ALL PIN P/L=5.0±0.2	H

TOLERANCE:0<L<=4:±0.1 4<L<=16:±0.2 16<L<=63:±0.3

UNIT : m / m

SCALE 1 : 1

Finish: 1. PB wire Immersion Sn on terminal : Thickness:Sn plating,100%,5 μm (200 μ inches) min,Base nickel 0.625 μm (25 μ inches) min.
2. CP wire Immersion Sn on terminal : Thickness:Sn plating,100%,5 μm (200 μ inches) min.
3. Coplanarity deviation: 0.10 mm (0.004 inches) max.

REV 4