

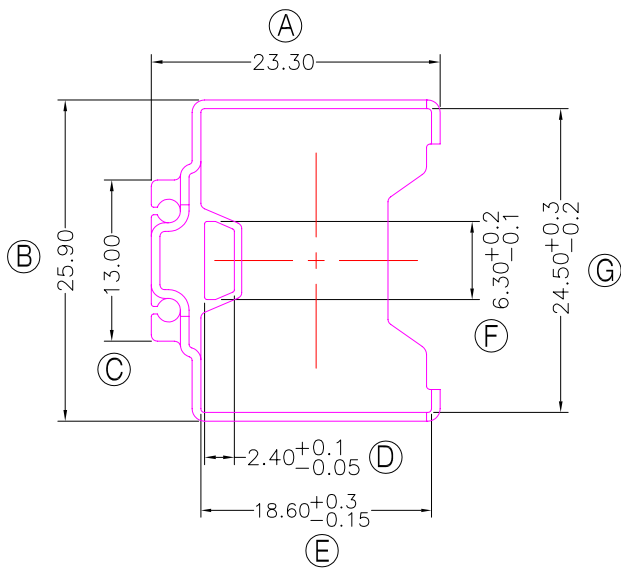


TRANSFORMER BOBBIN
INDUSTRIAL CO.,LTD.

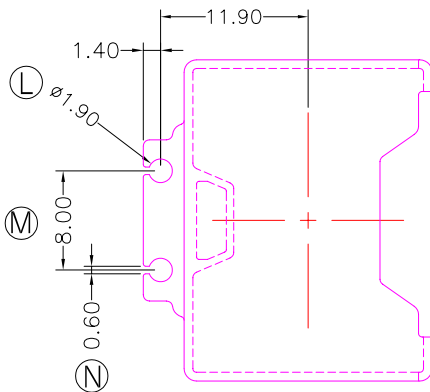
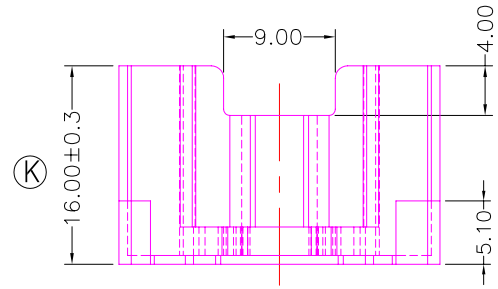
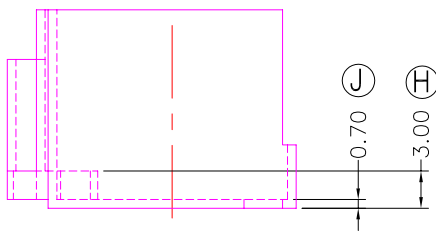
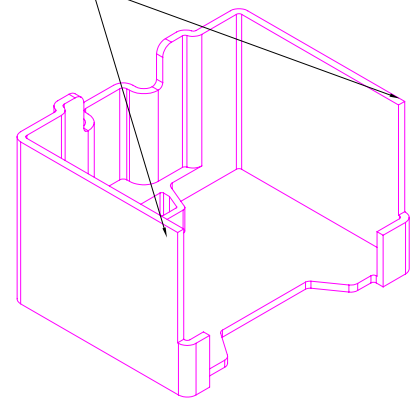
Tel : 86-769-88789999 Fax : 86-769-88789989
http:// tbi-tw.com e-mail : tb6688@ms46.hinet.net

REVISIONS

REV	SYM	DRAFTER	CHECKER	DATE
1		X.H.GU	G.F.YANG	06/23/15
2				
3				



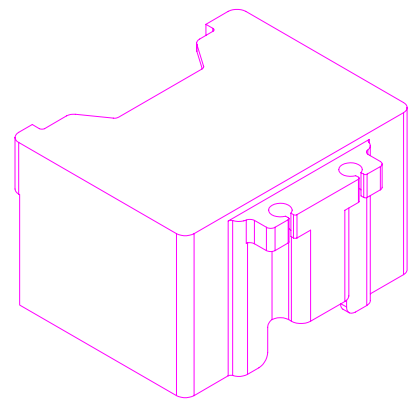
A 強度1.5Kg MIN



NOTE:

- 1.耐壓4.0Kv /1.5mA 60S;
- 2.任一點的強度為1.8kg MIN, 其中.A.處為1.5kg MIN

與TBI-238-10411.11XX(ATQ23.7-16.7A-7P-TH-D1-11)配套使用;



DWG NO. ATQ23.7-16.7A-CASE-D1-11

PART NO. MATERIAL (BOBBIN) MATERIAL (TERMINAL) TERMINAL (PLATING) PIN ALLOCATION NOTE

TBI-238-10411.11C	PM-9630	NA			S
					H

TOLERANCE: 0 < L ≤ 4 : ±0.1 4 < L ≤ 16 : ±0.2 16 < L ≤ 63 : ±0.3

UNIT : m / m

SCALE 1 : 1

Finish: 1. PB wire Immersion Sn on terminal : Thickness:Sn plating,100%,5 μm (200 μ inches) min,Base nickel 0.625 μm (25 μ inches) min.

2. CP wire Immersion Sn on terminal : Thickness:Sn plating,100%,5 μm (200 μ inches) min.

3. Coplanarity deviation: 0.10 mm (0.004 inches) max.

REV 1