

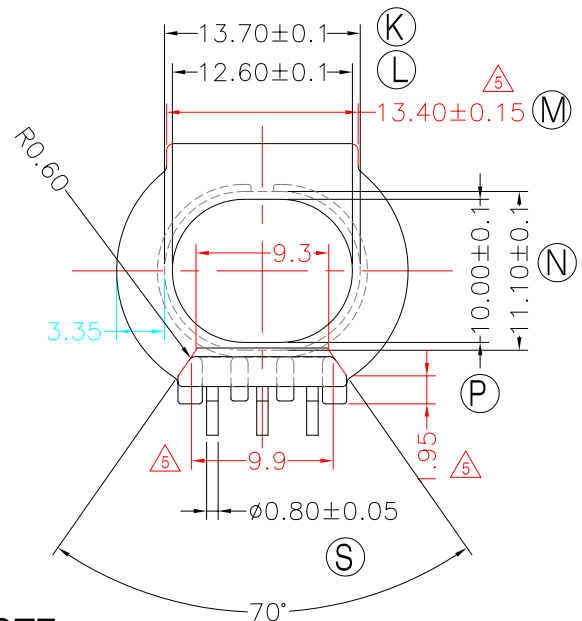
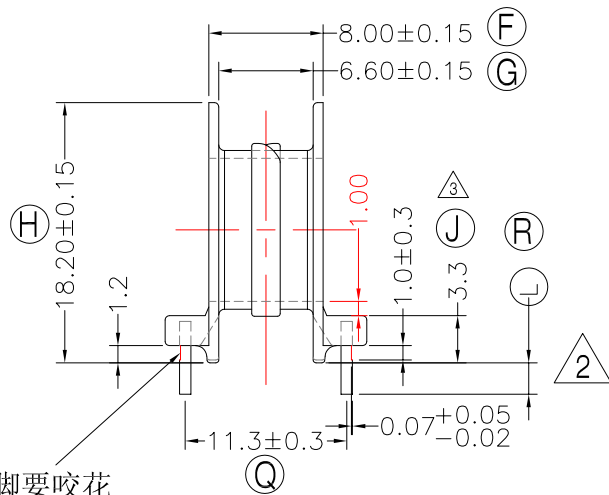
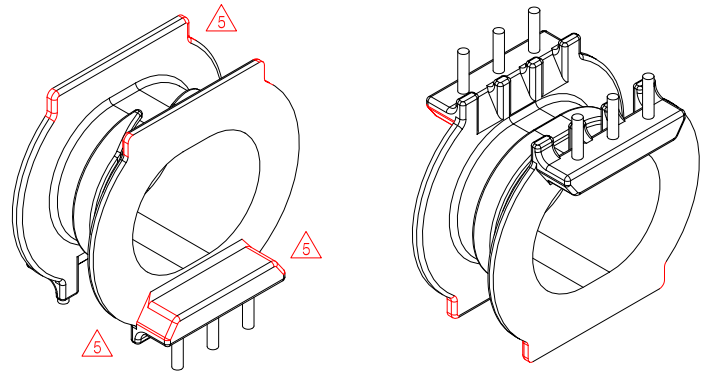
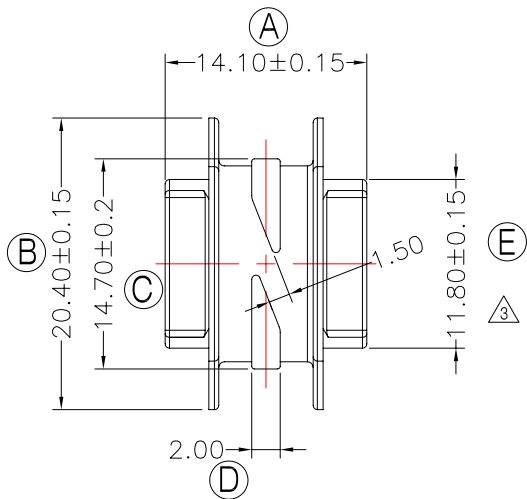


TRANSFORMER BOBBIN
INDUSTRIAL CO.,LTD.

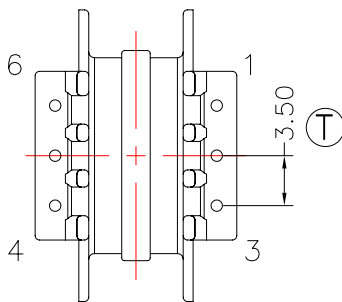
Tel : 86-769-88789999 Fax : 86-769-88789989
http:// tbi-tw.com e-mail : tb6688@ms46.hinet.net

REVISIONS

REV	SYM	DRAFTER	CHECKER	DATE
3		X.H.GU	G.F.YANG	12/15/11
4		YUAN.XING	G.F.YANG	01/09/12
5		H.X.DUAN	G.F.YANG	01/02/14



針腳要咬花
外露



NOTE:

- 1.任一點的強度為1.5kgMIN.
- 2.PIN拉力須焊前1.0KgMIN焊后1.5KgMIN.
- 3.切斷面焊錫必須能帶出錫尖.
- 4.PIN咬花外露處不可有露銅現象;
- 5.Winding Space=6.6*3.35=22.11mm²

DWG NO. ATQ23.7-14.6-6P-TH-B0-12

PART NO.	MATERIAL (BOBBIN)	MATERIAL (TERMINAL)	TERMINAL (PLATING)	PIN ALLOCATION	NOTE
TBI-238-10201.1206	PM-9820	CP WIRE	Sn	ALL PIN L=2.2+/-0.2	S
TBI-238-10201.1216	PM-9820	CP WIRE	Sn	CUT PIN#3,5(L)=2.2+/-0.2	H
TBI-238-10201.1226	PM-9820	CP WIRE	Sn	ALL PIN L=3.0+/-0.2	
TBI-238-10201.1236	PM-9820	CP WIRE	Sn	CUT PIN#3,5(L)=3.0+/-0.2	
TBI-238-10201.1246	PM-9820	CP WIRE	Sn	ALL PIN L=3.5+/-0.2	

TOLERANCE: 0<L<=4: ±0.1 4<L<=16: ±0.2 16<L<=63: ±0.3 UNIT : m / m SCALE 1 : 1

Finish: 1. PB wire Immersion Sn on terminal : Thickness:Sn plating,100,5 μm (200 μ inches) min,Base nickel 0.625 μm (25 μ inches) min.
2. CP wire Immersion Sn on terminal : Thickness:Sn plating,100,5 μm (200 μ inches) min.
3. Coplanarity deviation: 0.10 mm (0.004 inches) max.

REV 5