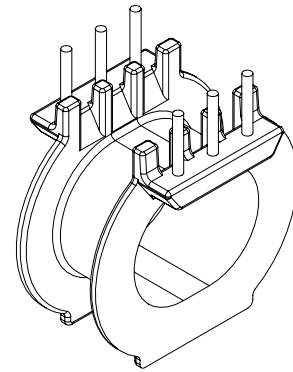
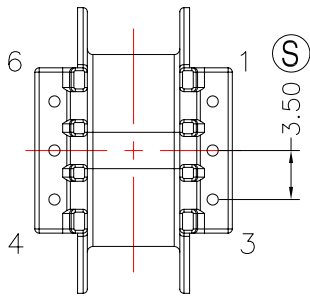
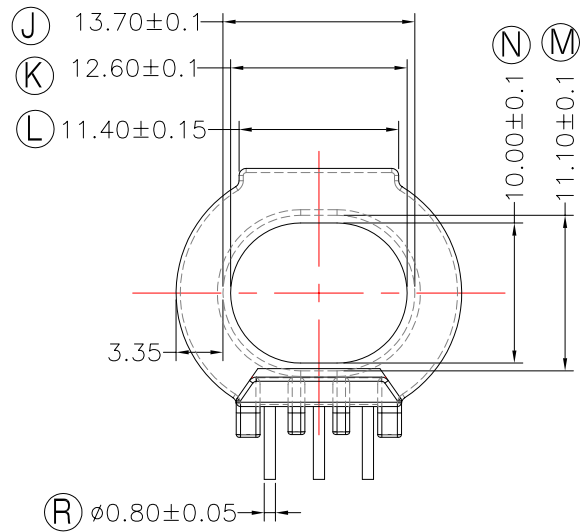
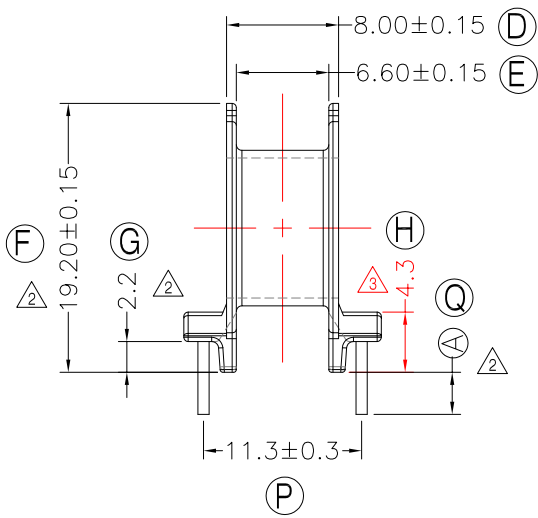
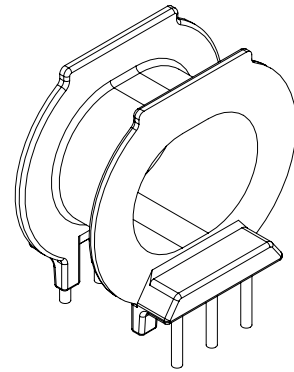
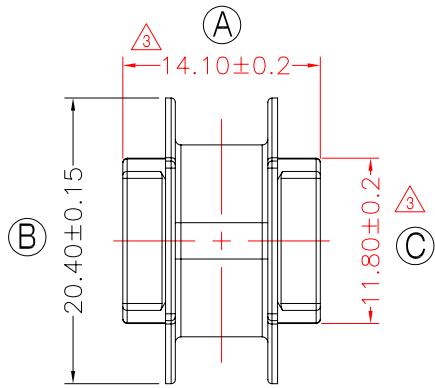




TRANSFORMER BOBBIN
INDUSTRIAL CO.,LTD.

Tel : 86-769-88789999 Fax : 86-769-88789989
http:// tbi-tw.com e-mail : tb6688@ms46.hinet.net

| REVISIONS | | | | |
|-----------|-----|----------|----------|----------|
| REV | SYM | DRAFTER | CHECKER | DATE |
| ① | | G.F.YANG | W.H.HSU | 07/16/09 |
| ② | | X.H.GU | G.F.YANG | 01/27/11 |
| ③ | | H.X.DUAN | G.F.YANG | 04/11/13 |



Winding Space=6.6*3.35=22.11mm²

| DWG NO. | ATQ23.7-14.6-6P-TH-E-12 | | | | |
|--|-------------------------|---------------------|--------------------|-------------------------|-------------|
| PART NO. | MATERIAL (BOBBIN) | MATERIAL (TERMINAL) | TERMINAL (PLATING) | PIN ALLOCATION | NOTE |
| TBI-238-10051.1206 | PM-9820 | CP WIRE | Sn | ALL PIN (A)=3.0±0.3 | S |
| TBI-238-10051.1216 | PM-9820 | CP WIRE | Sn | CUT PIN#2,3 (A)=3.0±0.3 | |
| TBI-238-10051.1226 | PM-9820 | CP WIRE | Sn | CUT PIN#3,5 (A)=3.0±0.3 | |
| TBI-238-10051.1236 | PM-9820 | CP WIRE | Sn | CUT PIN#3,5 (A)=4.0±0.3 | |
| TBI-238-10051.1246 | PM-9820 | CP WIRE | Sn | CUT PIN#2 (A)=3.0±0.3 | |
| TBI-238-10051.1256 | PM-9820 | CP WIRE | Sn | CUT PIN#2,3 (A)=4.0±0.3 | |
| TBI-238-10051.1266 | PM-9820 | CP WIRE | Sn | ALL PIN (A)=4.0±0.3 | |
| TOLERANCE: 0<L<=4: ±0.1 4<L<=16: ±0.2 16<L<=63: ±0.3 | | | | UNIT : m / m | SCALE 1 : 1 |

Finish: 1. PB wire Immersion Sn on terminal : Thickness:Sn plating,100,5 μm (200 μ inches) min,Base nickel 0.625 μm (25 μ inches) min.
2. CP wire Immersion Sn on terminal : Thickness:Sn plating,100,5 μm (200 μ inches) min.
3. Coplanarity deviation: 0.10 mm (0.004 inches) max.

REV 3