

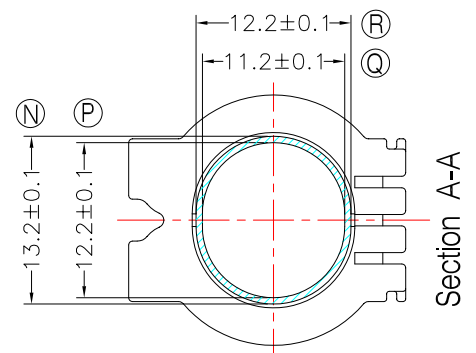
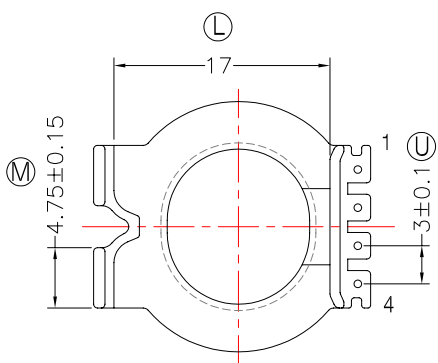
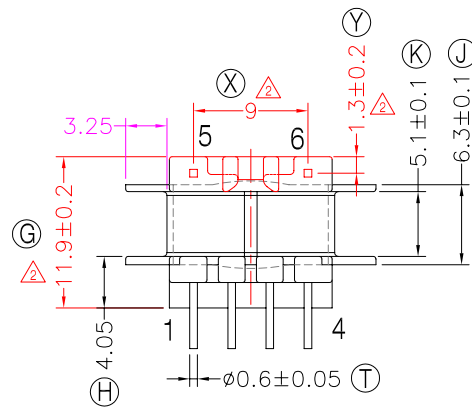
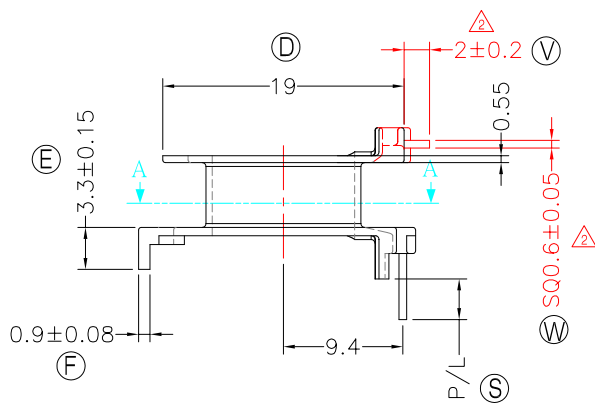
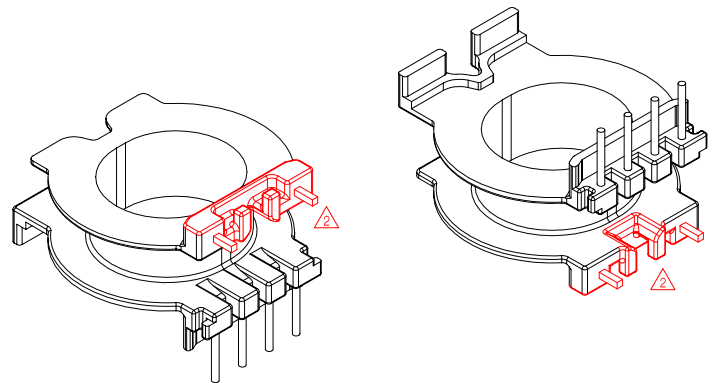
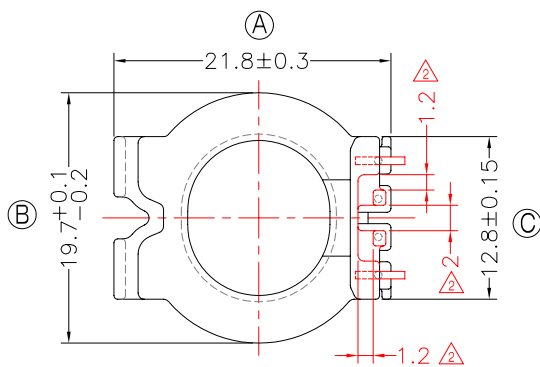


TRANSFORMER BOBBIN  
INDUSTRIAL CO.,LTD.

Tel : 86-769-88789999 Fax : 86-769-88789989  
http:// tbi-tw.com e-mail : tb6688@ms46.hinet.net

REVISIONS

REV	SYM	DRAFTER	CHECKER	DATE
1		X.H.GU	G.F.YANG	04/14/16
2		X.H.GU	G.F.YANG	06/04/16
3				



NOTE:

- 耐壓4.0Kv /1.5mA 60S;
- 焊錫溫度:450°±10° 3SEC
- 任一點的強度為1.5kg MIN,
- 焊錫前拉力:1.0KG MIN,焊錫後拉力:1.5KG MIN;
- Winding Space=5.1\*3.25=16.58mm<sup>2</sup>
- 與TBI-238-10511.11XX(ATQ23.2-11.6C-1P-CASE-E1-11)配套使用;

DWG NO. ATQ23.2-11.6C-6P-TH-E0-11

PART NO.	MATERIAL (BOBBIN)	MATERIAL (TERMINAL)	TERMINAL (PLATING)	PIN ALLOCATION	NOTE
TBI-238-10501.1106	PM-9630	CP WIRE	Sn	ALL PIN P/L=3.2±0.2	S
TBI-238-10501.1116	PM-9630	CP WIRE	Sn	NO PIN#5 P/L=5.0±0.2	H

TOLERANCE: 0<L<=4: ±0.1 4<L<=16: ±0.2 16<L<=63: ±0.3

UNIT : m / m

SCALE 1 : 1

Finish: 1. PB wire Immersion Sn on terminal : Thickness:Sn plating,100%,5 μm (200 μ inches) min,Base nickel 0.625 μm (25 μ inches) min.  
2. CP wire Immersion Sn on terminal : Thickness:Sn plating,100%,5 μm (200 μ inches) min.  
3. Coplanarity deviation: 0.10 mm (0.004 inches) max.

REV 2