

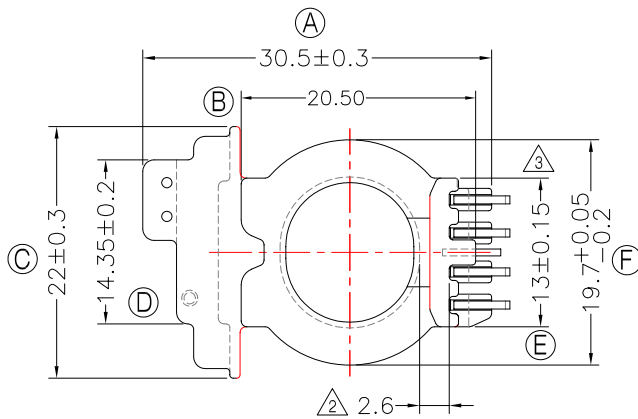


TRANSFORMER BOBBIN
INDUSTRIAL CO.,LTD.

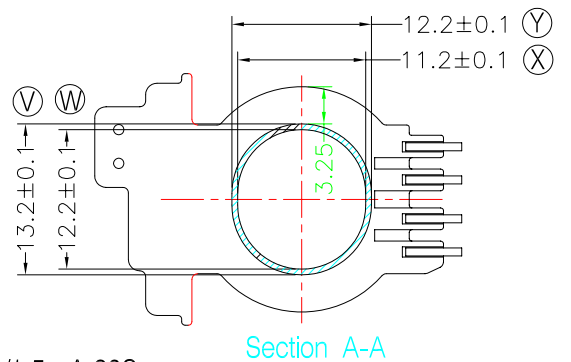
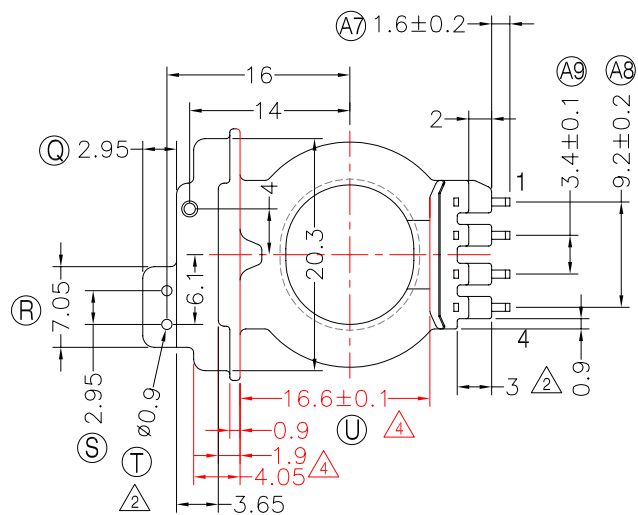
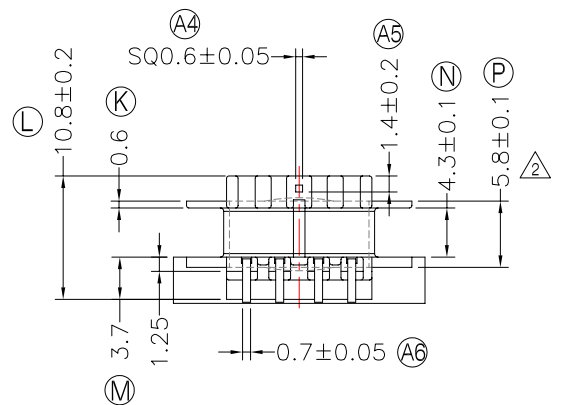
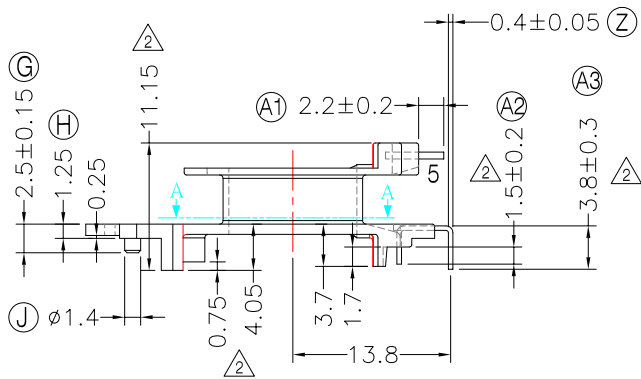
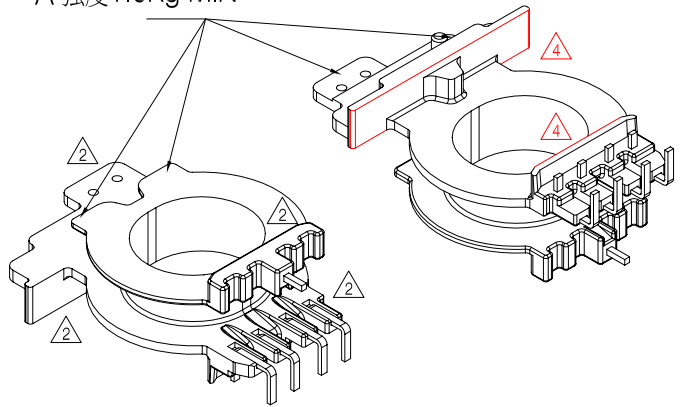
Tel : 86-769-88789999 Fax : 86-769-88789989
http:// tbi-tw.com e-mail : tb6688@ms46.hinet.net

REVISIONS

REV	SYM	DRAFTER	CHECKER	DATE
2		X.H.GU	G.F.YANG	11/16/15
3		X.H.GU	G.F.YANG	12/14/15
4		X.H.GU	G.F.YANG	12/18/15



A 強度1.0Kg MIN



NOTE:

- 耐壓4.0Kv /1.5mA 60S;
- 焊錫溫度:450°±10° 3SEC;
- 焊錫前推力:1.0KG MIN,焊錫後推力:1.5KG MIN;
- WINDING SPACE: 4.3mm*3.25mm=13.975mm²
- 任一點的強度為1.5kg MIN 其中上下葉片" A"處為1.0kg MIN

DWG NO. ATQ23.2-11C-5P-TU-C9-11

PART NO.	MATERIAL (BOBBIN)	MATERIAL (TERMINAL)	TERMINAL (PLATING)	PIN ALLOCATION	NOTE
TBI-238-10391.1106	PM-9630	CP WIRE	Sn	ALL PIN	S
TBI-238-10391.1116	PM-9630	CP WIRE	Sn	NO PIN#5	

TOLERANCE: 0<L<=4:±0.1 4<L<=16:±0.2 16<L<=63:±0.3

UNIT : m / m

SCALE 1 : 1

Finish: 1. PB wire Immersion Sn on terminal : Thickness:Sn plating,100%,5 μm (200 μ inches) min,Base nickel 0.625 μm (25 μ inches) min.
2. CP wire Immersion Sn on terminal : Thickness:Sn plating,100%,5 μm (200 μ inches) min.
3. Coplanarity deviation: 0.10 mm (0.004 inches) max.

REV 4