

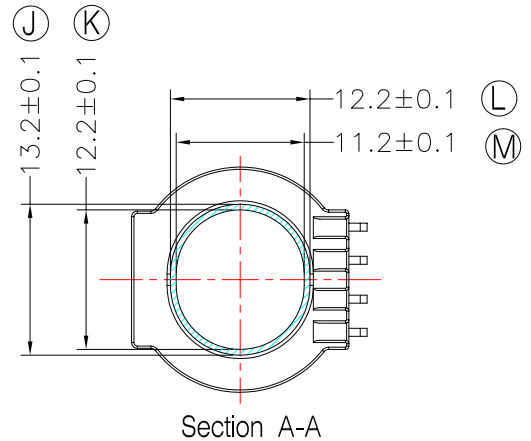
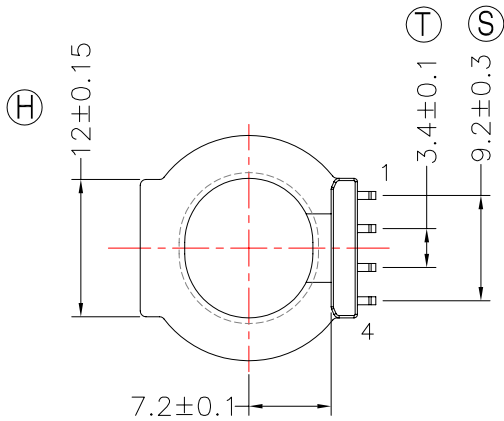
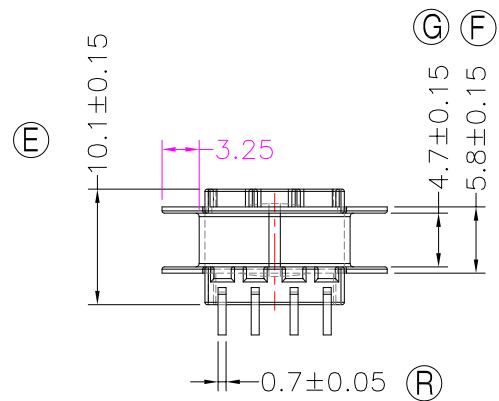
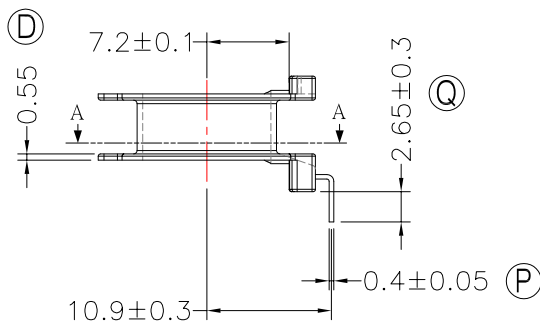
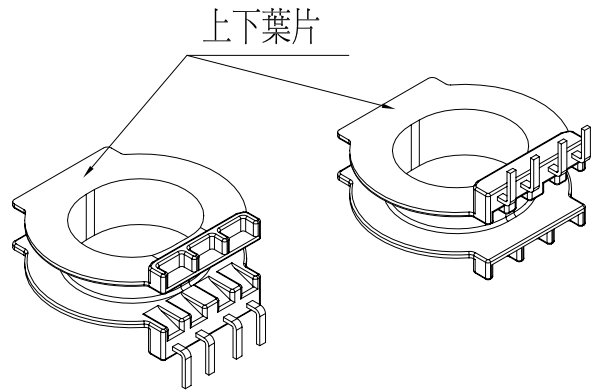
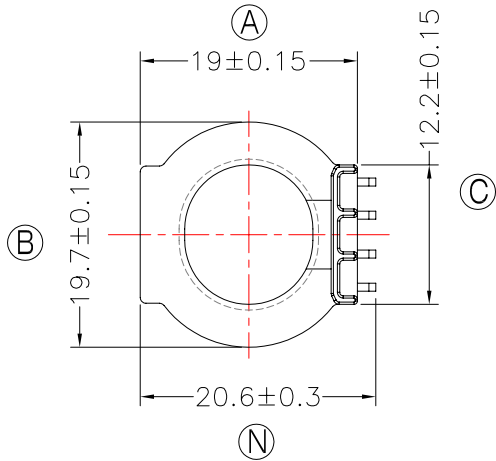


TRANSFORMER BOBBIN
INDUSTRIAL CO.,LTD.

Tel : 86-769-88789999 Fax : 86-769-88789989
http:// tbi-tw.com e-mail : tb6688@ms46.hinet.net

REVISIONS

REV	SYM	DRAFTER	CHECKER	DATE
1		X.H.GU	G.F.YANG	04/05/12
2				
3				



NOTE:

- 任一點的強度為1.5kg MIN 其中上下葉片處為1.0kg MIN
- PIN拉力須焊前1.0KgMIN焊后1.5KgMIN.
- Winding Space=4.7*3.25=15.28mm^2

DWG NO. ATQ23.2-11.2-4P-TL-2E-11

PART NO.	MATERIAL (BOBBIN)	MATERIAL (TERMINAL)	TERMINAL (PLATING)	PIN ALLOCATION	NOTE
TBI-238-10251.1106	PM-9630	CP WIRE	Sn	ALL PIN	S



TOLERANCE: 0<L<=4: ±0.1 4<L<=16: ±0.2 16<L<=63: ±0.3

UNIT : m / m

SCALE 1 : 1

Finish: 1. PB wire Immersion Sn on terminal : Thickness:Sn plating,100,5μm (200μ inches) min,Base nickel 0.625μm (25μ inches) min.
2. CP wire Immersion Sn on terminal : Thickness:Sn plating,100,5μm (200μ inches) min.
3. Coplanarity deviation: 0.10 mm (0.004 inches) max.

REV 1