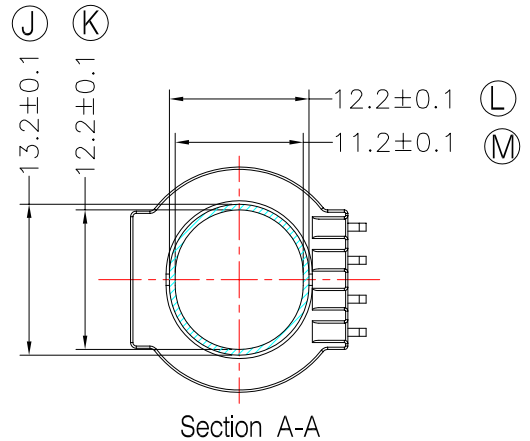
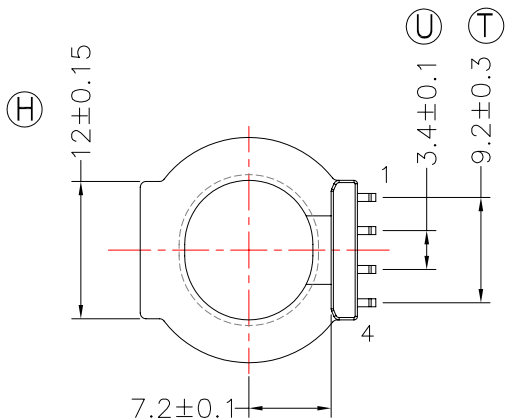
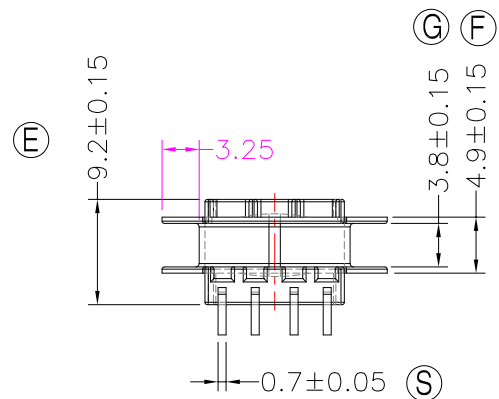
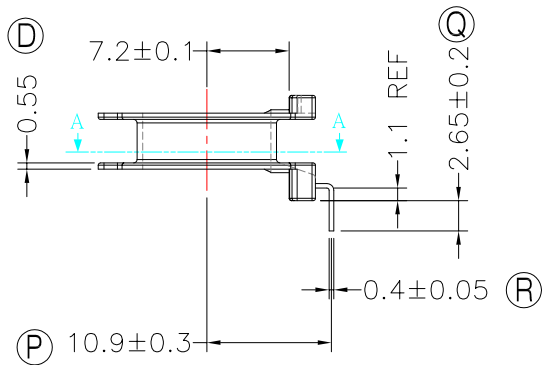
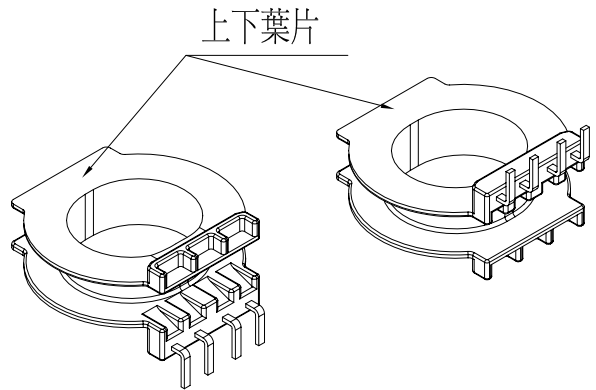
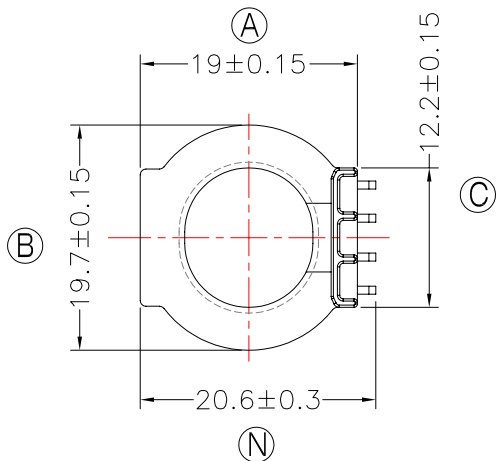




TRANSFORMER BOBBIN  
INDUSTRIAL CO.,LTD.

Tel : 86-769-88789999 Fax : 86-769-88789989  
http:// tbi-tw.com e-mail : tb6688@ms46.hinet.net

| REVISIONS |     |         |          |          |
|-----------|-----|---------|----------|----------|
| REV       | SYM | DRAFTER | CHECKER  | DATE     |
| △1        |     | F.LU    | G.F.YANG | 07/09/11 |
| △2        |     |         |          |          |
| △3        |     |         |          |          |



NOTE:

- 1.任一點的強度為1.5kg MIN 其中上下葉片處為1.0kg MIN
- 2.PIN拉力須焊前1.0KgMIN焊后1.5KgMIN.
- 3.Winding Space=3.8\*3.25=12.35mm ^ 2

|  |  |                     |                    |                |        |
|--|--|---------------------|--------------------|----------------|--------|
| DWG NO.  | ATQ23.2-10.2-4P-TL-2A-11   |                     |                    |                |        |
| PART NO.   | MATERIAL (BOBBIN)  | MATERIAL (TERMINAL) | TERMINAL (PLATING) | PIN ALLOCATION | NOTE   |
| TBI-238-10211.1106                                   | PM-9630  | C.P WIRE            | Sn                 | ALL PIN        | S<br>H |
| TOLERANCE: 0<L<=4: ±0.1 4<L<=16: ±0.2 16<L<=63: ±0.3 |  |                     |                    |                |        |
| UNIT : m / m   |  |                     |                    | SCALE 1 : 1    |        |
| Finish:  | 1. Pb wire Immersion Sn on terminal : Thickness:Sn plating,100,5 μm (200 μ inches) min,Base nickel 0.625 μm (25 μ inches) min.<br>2. CP wire Immersion Sn on terminal : Thickness:Sn plating,100,5 μm (200 μ inches) min.<br>3. Coplanarity deviation: 0.10 mm (0.004 inches) max. |                     |                    |                | REV 1  |