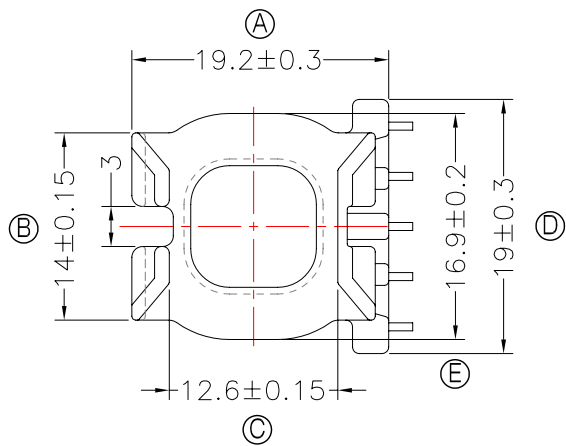




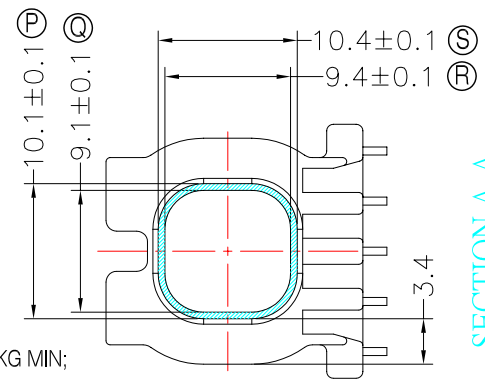
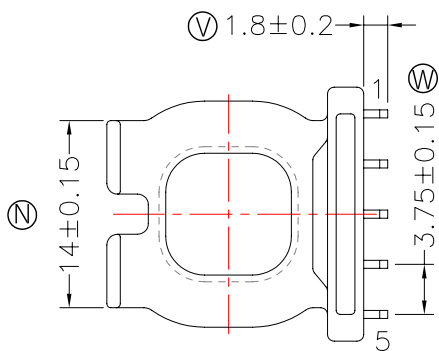
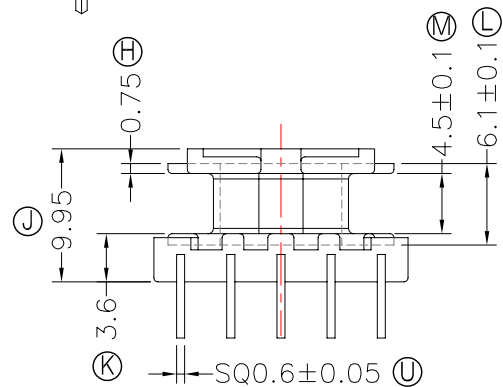
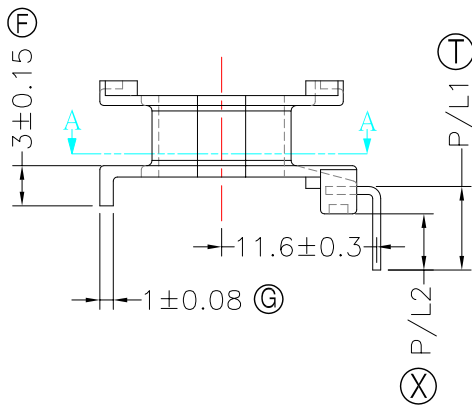
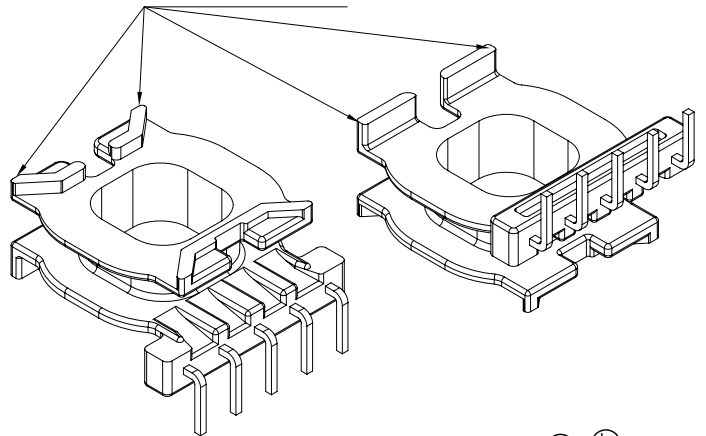
**TRANSFORMER BOBBIN
INDUSTRIAL CO.,LTD.**

Tel : 86-769-88789999 Fax : 86-769-88789989
 http:// tbi-tw.com e-mail : tb6688@ms46.hinet.net

REVISIONS				
REV	SYM	DRAFTER	CHECKER	DATE
①		X.H.GU	G.F.YANG	12/07/15
②				
③				



A 強度1.3Kg MIN



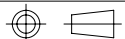
SECTION A-A

NOTE:

- 耐壓4.0Kv /1.5mA 60S;
- 焊錫溫度:450°±10° 3SEC
- 焊錫前拉力:1.0KG MIN,焊錫後拉力:1.5KG MIN;
- WINDING SPACE:4.5mm*3.4mm=15.3mm²
- 任意一點強度須1.5kg MIN;(除以下測試點.A.處為1.3kg min).

與TBI-238-43221.11XX(ATQ22-11.8-3P-CASE-B2-11)配套使用;

DWG NO.	ATQ22-11.8-5P-TL-2A-11				
PART NO.	MATERIAL (BOBBIN)	MATERIAL (TERMINAL)	TERMINAL (PLATING)	PIN ALLOCATION	NOTE
TBI-238-43211.1106	PM-9630	CP WIRE	Sn	ALL PIN P/L1=6.25±0.3 P/L2=4.2±0.3	S
TBI-238-43211.1116	PM-9630	CP WIRE	Sn	ALL PIN P/L1=6.65±0.3 P/L2=4.5±0.3	H



TOLERANCE: 0<L<=4:±0.1 4<L<=16:±0.2 16<L<=63:±0.3

UNIT : m / m

SCALE 1 : 1

- Finish:**
- PB wire Immersion Sn on terminal : Thickness:Sn plating, 100,5 μm (200 μ inches) min, Base nickel 0.625 μm (25 μ inches) min.
 - CP wire Immersion Sn on terminal : Thickness:Sn plating, 100,5 μm (200 μ inches) min.
 - Coplanarity deviation: 0.10 mm (0.004 inches) max.

REV 1