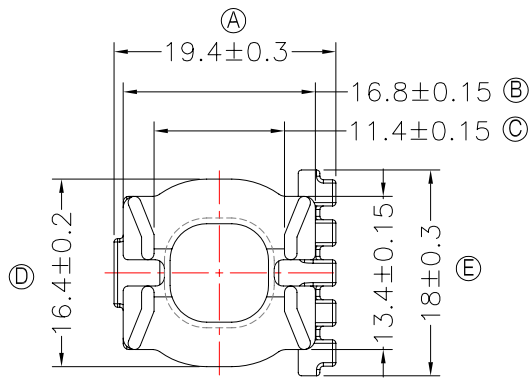




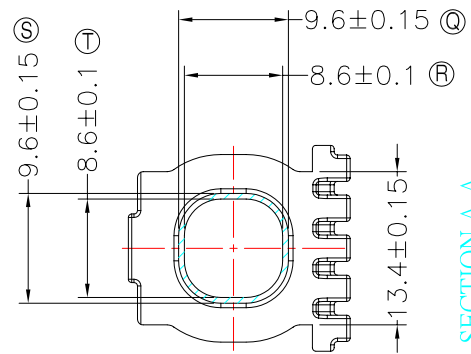
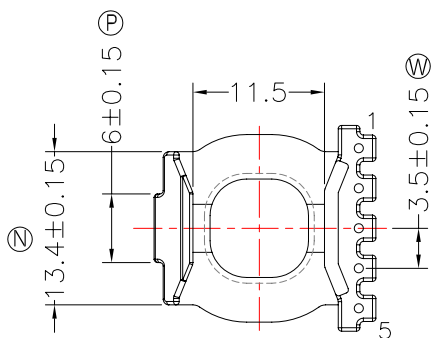
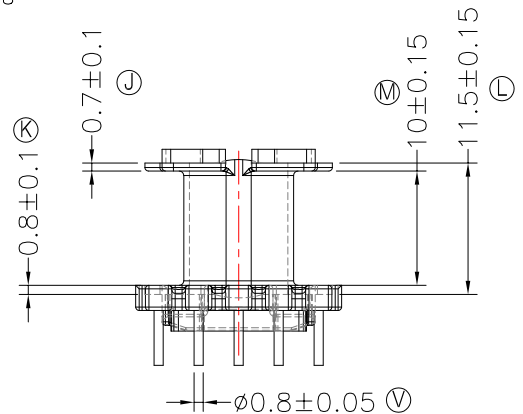
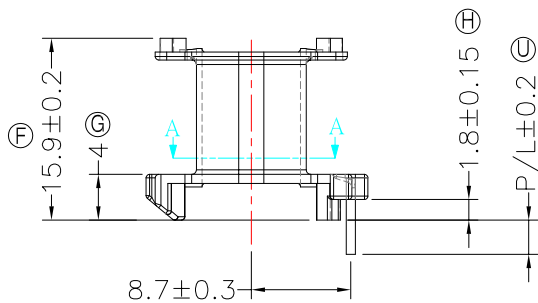
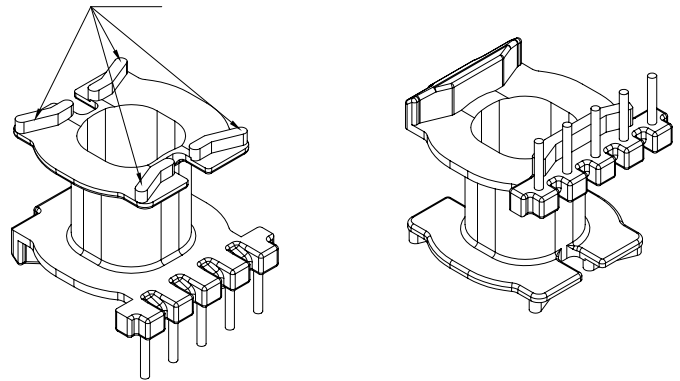
TRANSFORMER BOBBIN  
INDUSTRIAL CO.,LTD.

Tel : 86-769-88789999 Fax : 86-769-88789989  
http:// tbi-tw.com e-mail : tb6688@ms46.hinet.net

REVISIONS				
REV	SYM	DRAFTER	CHECKER	DATE
△1		X.X.YUAN	G.F.YANG	06/04/15
△2				
△3				



A 強度1.5Kg MIN

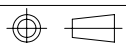


NOTE:

- 耐壓4.0Kv /1.5mA 60S;
- 焊錫溫度:450°±10° 3SEC
- 焊錫前拉力:1.0KG MIN,焊錫後拉力:1.5KG MIN;
- 任意一點強度須2.0kg MIN(其中 A 處強度為1.5KG MIN);
- WINDING SPACE: 3.4mm\*10mm=34mm<sup>2</sup>

DWG NO. ATQ21-16.8-5P-TH-H-11

PART NO.	MATERIAL (BOBBIN)	MATERIAL (TERMINAL)	TERMINAL (PLATING)	PIN ALLOCATION	NOTE
TBI-238-13081.1106	PM-9630	CP WIRE	Sn	ALL PIN P/L=3.0±0.2	S
TBI-238-13081.1116	PM-9630	CP WIRE	Sn	ALL PIN P/L=4.0±0.2	H
TBI-238-13081.1126	PM-9630	CP WIRE	Sn	NO PIN	
TBI-238-13081.1136	PM-9630	CP WIRE	Sn	CUT PIN#3 P/L=3.0±0.2	



TOLERANCE: 0<L<=4:±0.1 4<L<=16:±0.2 16<L<=63:±0.3

UNIT : m / m

SCALE 1 : 1

Finish: 1. PB wire Immersion Sn on terminal : Thickness:Sn plating,100,5 μm (200 μ inches) min,Base nickel 0.625 μm (25 μ inches) min.  
2. CP wire Immersion Sn on terminal : Thickness:Sn plating,100,5 μm (200 μ inches) min.  
3. Coplanarity deviation: 0.10 mm (0.004 inches) max.

REV 1