

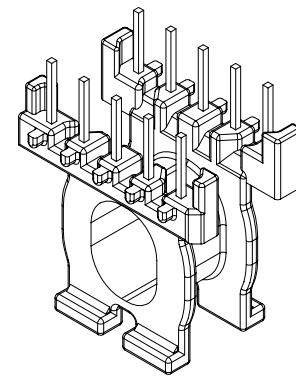
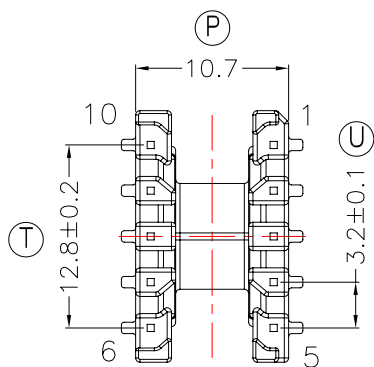
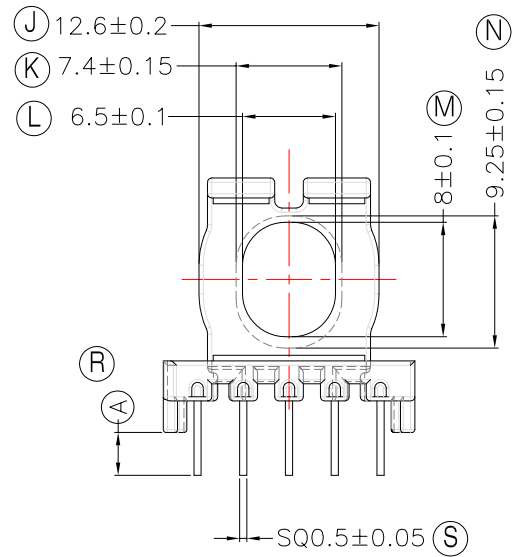
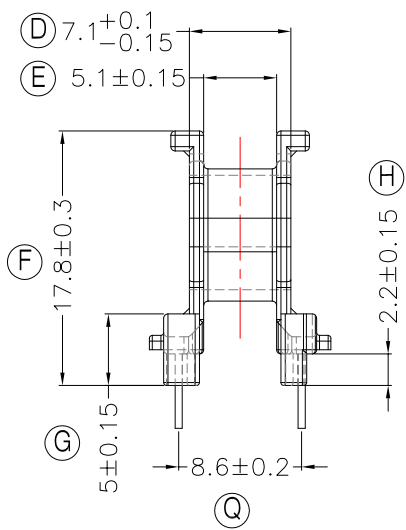
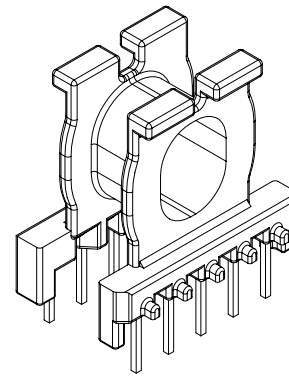
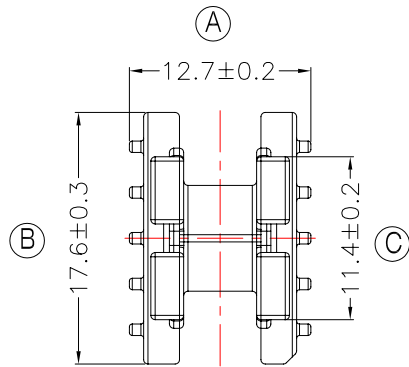


**TRANSFORMER BOBBIN INDUSTRIAL CO.,LTD.**

Tel : 86-769-88789999 Fax : 86-769-88789989  
 http:// tbi-tw.com e-mail : tb6688@ms46.hinet.net

**REVISIONS**

REV	SYM	DRAFTER	CHECKER	DATE
①		H.X.DUAN	G.F.YANG	12/13/12
②				
③				



NOTE:

WINDING SPACE:5.1mm\*2.6mm=13.26mm<sup>2</sup>

DWG NO.	ATQ17-11.5A-10P-TH-H-12				
PART NO.	MATERIAL (BOBBIN)	MATERIAL (TERMINAL)	TERMINAL (PLATING)	PIN ALLOCATION	NOTE
TBI-238-26081.1206	PM-9820	CP WIRE	Sn	ALL PIN ①=3.0±0.2	S
TBI-238-26081.1216	PM-9820	CP WIRE	Sn	ALL PIN ①=3.5±0.2	
TBI-238-26081.1226	PM-9820	CP WIRE	Sn	NO PIN#6,7,8,9,10 ①=3.5±0.2	
	TOLERANCE:0<L<=4:±0.1 4<L<=16:±0.2 16<L<=63:±0.3			UNIT : m / m	SCALE 1 : 1

Finish: 1. PB wire Immersion Sn on terminal : Thickness:Sn plating,100,5 μm (200 μ inches) min,Base nickel 0.625 μm (25 μ inches) min.  
 2. CP wire Immersion Sn on terminal : Thickness:Sn plating,100,5 μm (200 μ inches) min.  
 3. Coplanarity deviation: 0.10 mm (0.004 inches) max.

REV 1