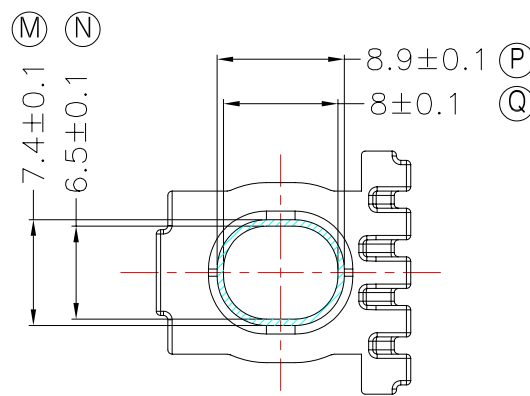
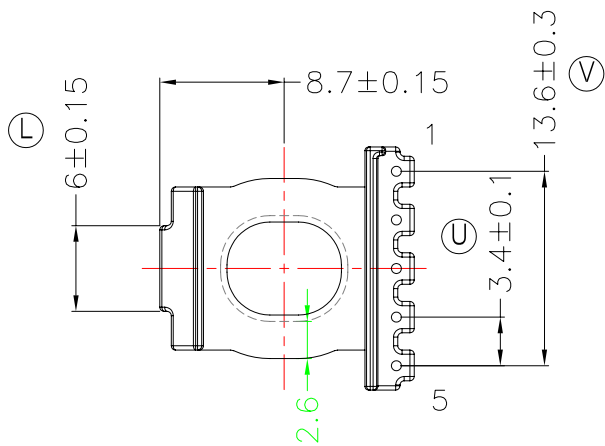
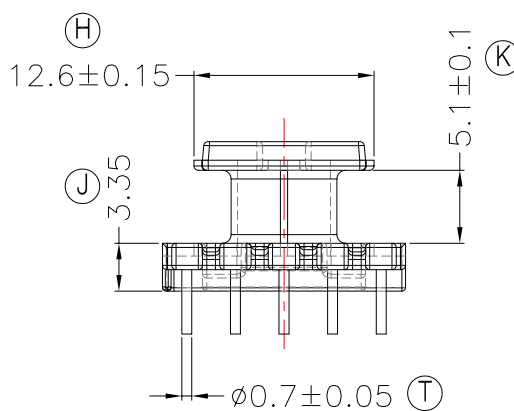
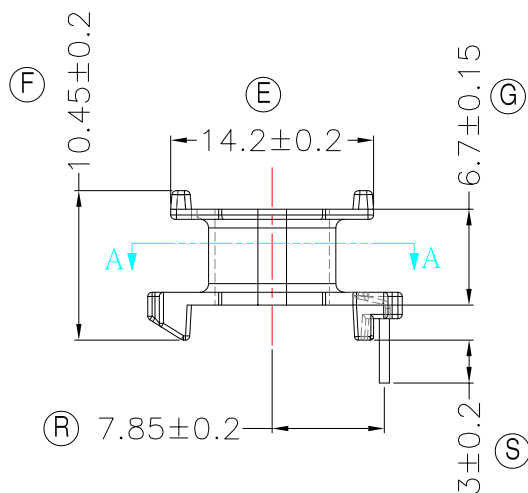
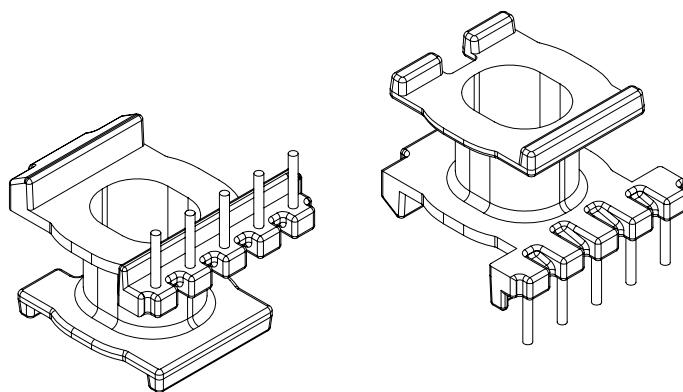
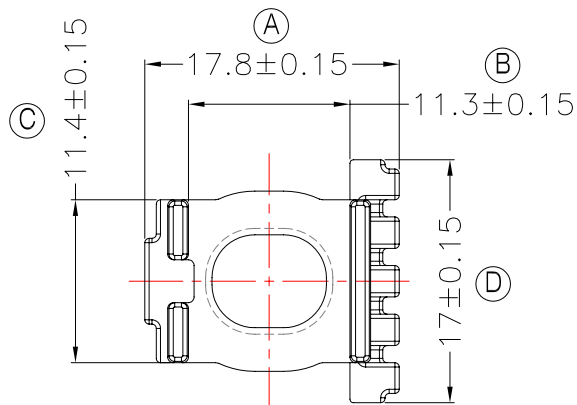


REVISIONS				
REV	SYM	DRAFTER	CHECKER	DATE
1		G.F.YANG	W.H.HSU	09/25/15
2				
3				



NOTE:

SECTION A-A
WINDING SPACE: 5.1mm * 2.6mm = 13.26mm²

DWG NO.	ATQ17-10.9A-5P-TH-D-11				
PART NO.	MATERIAL (BOBBIN)	MATERIAL (TERMINAL)	TERMINAL (PLATING)	PIN ALLOCATION	NOTE
TBI-238-26041.1106	PM-9630	CP WIRE	Sn	ALL PIN	S
TOLERANCE: 0 <math>L < 4</math> : ± 0.1 4 <math>L < 16</math> : ± 0.2 16 <math>L < 63</math> : ± 0.3					
				UNIT : m / m	SCALE 1 : 1

Finish: 1. PB wire Immersion Sn on terminal : Thickness: Sn plating, 100%, 5 μ m (200 μ inches) min, Base nickel 0.625 μ m (25 μ inches) min.
2. CP wire Immersion Sn on terminal : Thickness: Sn plating, 100%, 5 μ m (200 μ inches) min.
3. Coplanarity deviation: 0.10 mm (0.004 inches) max.

REV 1