

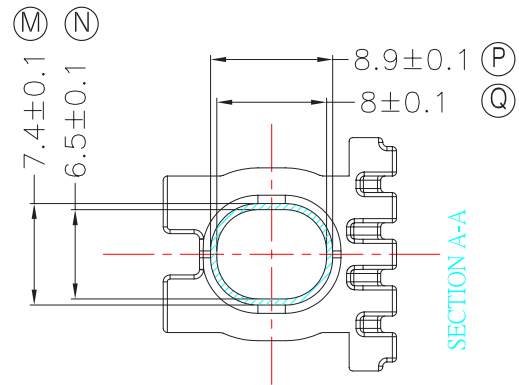
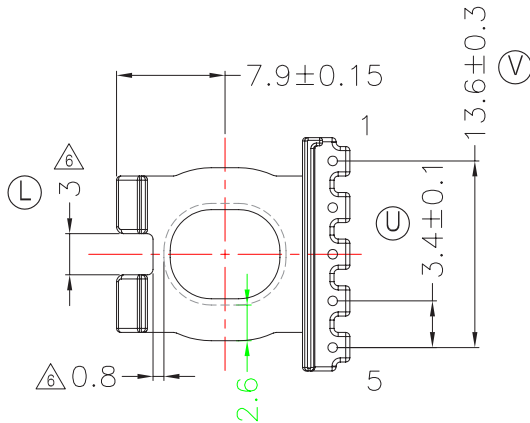
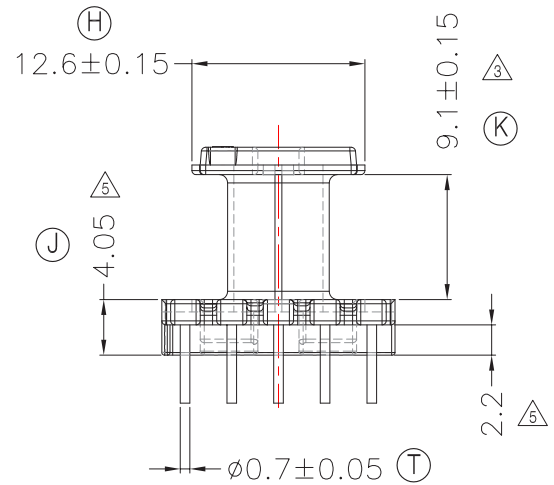
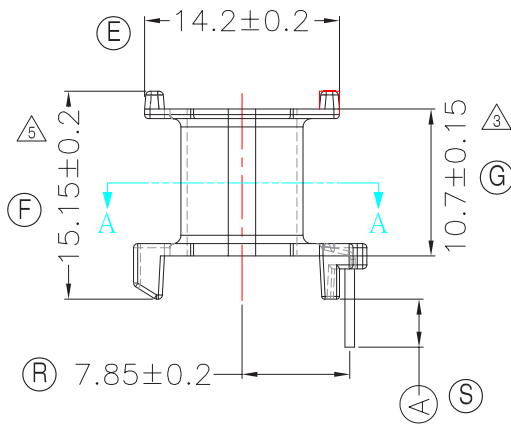
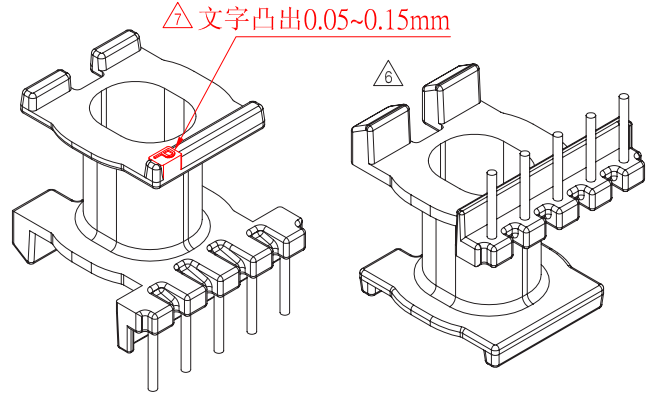
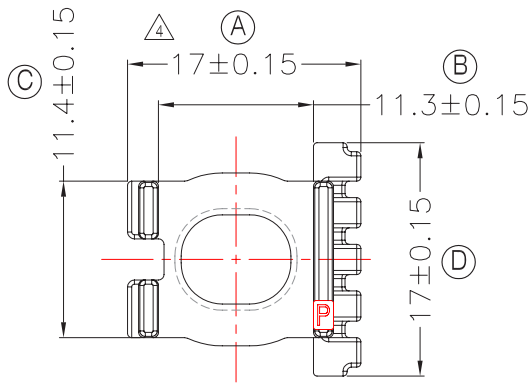


TRANSFORMER BOBBIN  
INDUSTRIAL CO.,LTD.

Tel : 86-769-88789999 Fax : 86-769-88789989  
http:// tbi-tw.com e-mail : tb6688@ms46.hinet.net

REVISIONS

REV	SYM	DRAFTER	CHECKER	DATE
△5		X.H.GU	G.F.YANG	05/02/12
△6		X.H.GU	G.F.YANG	05/26/15
△7		X.H.GU	G.F.YANG	11/14/16



DWG NO. ATQ17-15A-5P-TH-C-12

PART NO.	MATERIAL (BOBBIN)	MATERIAL (TERMINAL)	TERMINAL (PLATING)	PIN ALLOCATION	NOTE
TBI-238-26031.1206	PM-9820	CP WIRE	Sn	ALL PIN (A)=3.5±0.2	S
TBI-238-26031.1216	PM-9820	CP WIRE	Sn	ALL PIN (A)=5.0±0.5	H
TBI-238-26031.1226	PM-9820	CP WIRE	Sn	NO PIN#1,2,4 (A)=3.5±0.2	
TBI-238-26031.1236	PM-9820	CP WIRE	Sn	NO PIN#1,2,4 (A)=5.0±0.5	
TBI-238-26031.1246	PM-9820	CP WIRE	Sn	ALL PIN (A)=3.3±0.2	
TBI-238-26031.1256	PM-9820	CP WIRE	Sn	NO PIN#1,2,5 (A)=3.5±0.2	
TBI-238-26031.1266	PM-9820	CP WIRE	Sn	ALL PIN (A)=3.4±0.2	
TBI-238-26031.1276	PM-9820	CP WIRE	Sn	NO PIN#1,2,5 (A)=2.1±0.2	

TOLERANCE: 0<L<=4:±0.1 4<L<=16:±0.2 16<L<=63:±0.3 UNIT : m/m SCALE 1:1

Finish: 1. PB wire Immersion Sn on terminal : Thickness:Sn plating,100,5μm (200μ inches) min,Base nickel 0.625μm (25μ inches) min.  
2. CP wire Immersion Sn on terminal : Thickness:Sn plating,100,5μm (200μ inches) min.  
3. Coplanarity deviation: 0.10 mm (0.004 inches) max.

REV 7