

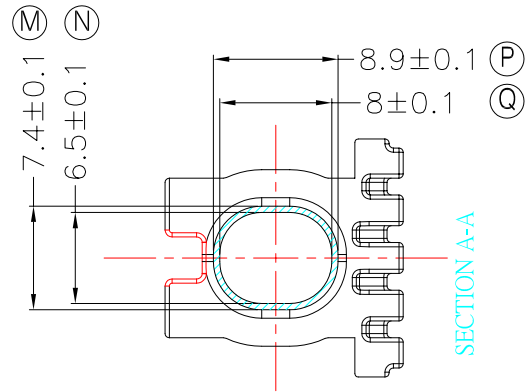
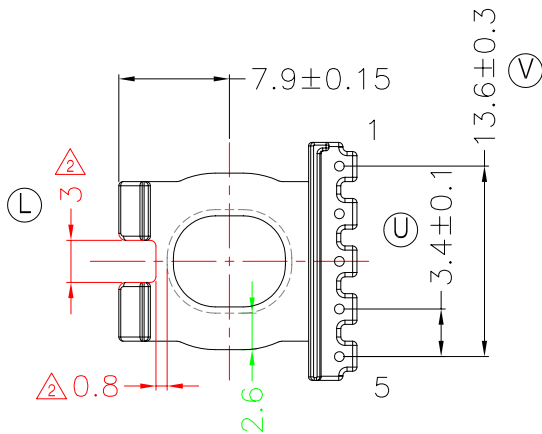
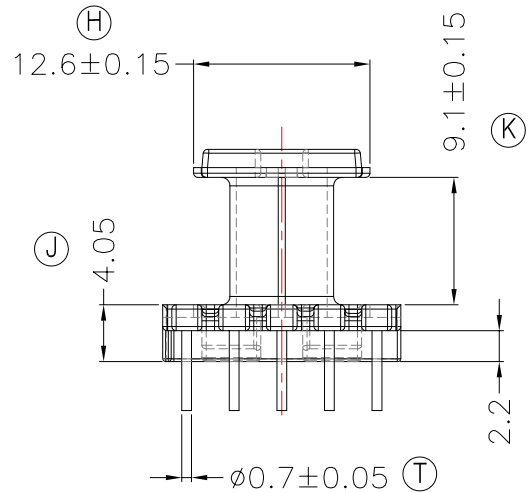
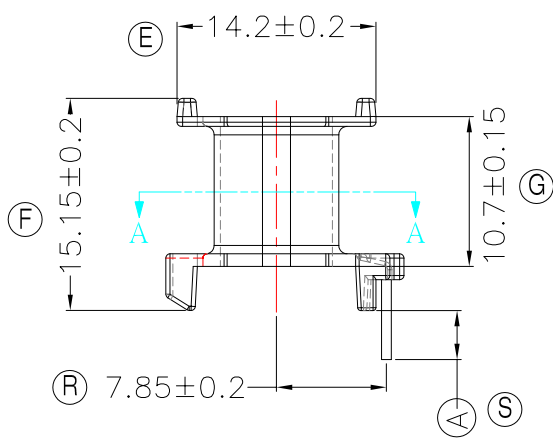
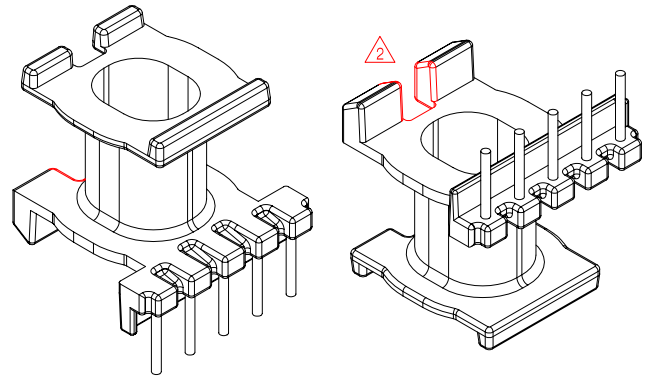
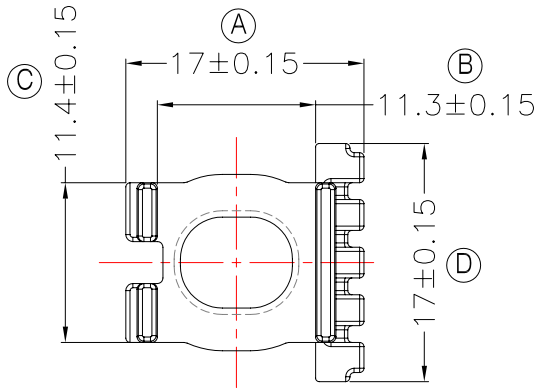


**TRANSFORMER BOBBIN  
INDUSTRIAL CO.,LTD.**

Tel : 86-769-88789999 Fax : 86-769-88789989  
http:// tbi-tw.com e-mail : tb6688@ms46.hinet.net

**REVISIONS**

REV	SYM	DRAFTER	CHECKER	DATE
①		X.X.YUAN	G.F.YANG	05/08/15
②		X.H.GU	G.F.YANG	05/26/15
③				



DWG NO. ATQ17-15A-5P-TH-C-11

PART NO.	MATERIAL (BOBBIN)	MATERIAL (TERMINAL)	TERMINAL (PLATING)	PIN ALLOCATION	NOTE
TBI-238-26031.1106	PM-9630	CP WIRE	Sn	ALL PIN (A)=3.5±0.2	S
TBI-238-26031.1116	PM-9630	CP WIRE	Sn	NO PIN#1,2,5 (A)=2.2±0.2	H
TBI-238-26031.1126	PM-9630	CP WIRE	Sn	NO PIN#1,2,5 (A)=2.3±0.2	
TOLERANCE:0<L<=4:±0.1 4<L<=16:±0.2 16<L<=63:±0.3				UNIT : m / m	SCALE 1 : 1

Finish: 1. PB wire Immersion Sn on terminal : Thickness:Sn plating,100,5 μm (200 μ inches) min,Base nickel 0.625 μm (25 μ inches) min.  
2. CP wire Immersion Sn on terminal : Thickness:Sn plating,100,5 μm (200 μ inches) min.  
3. Coplanarity deviation: 0.10 mm (0.004 inches) max.

REV 2