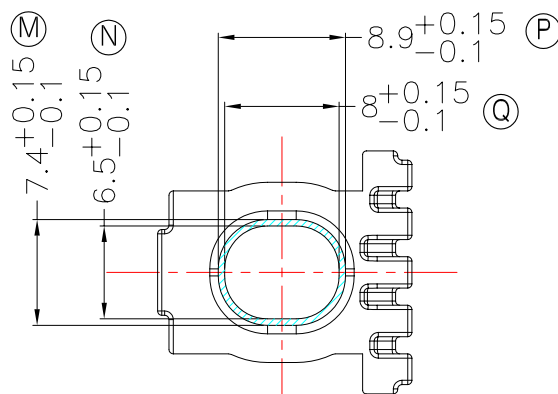
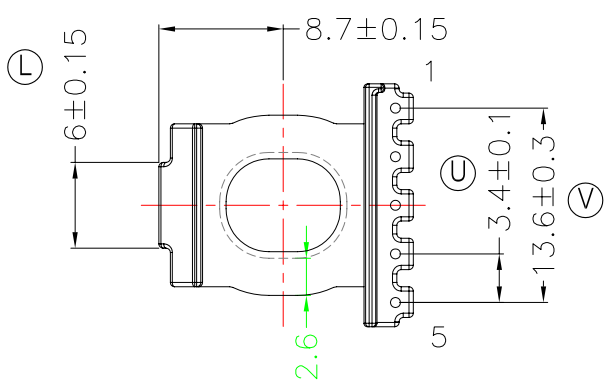
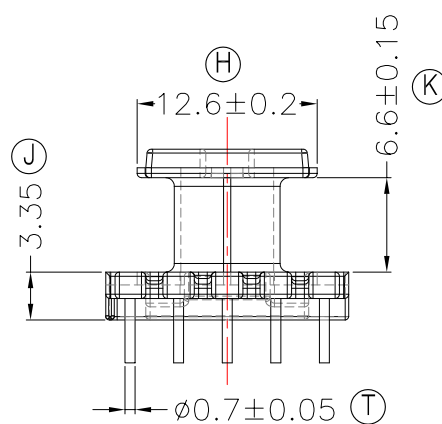
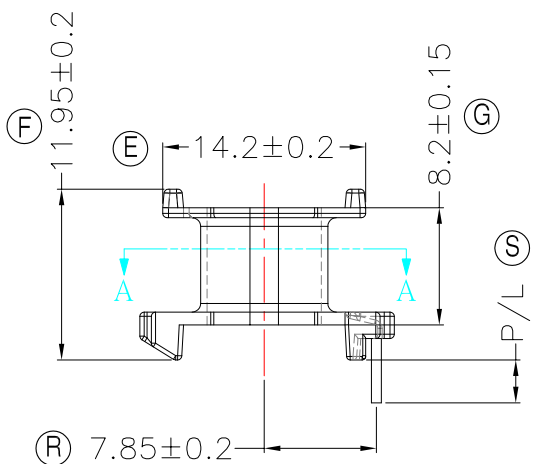
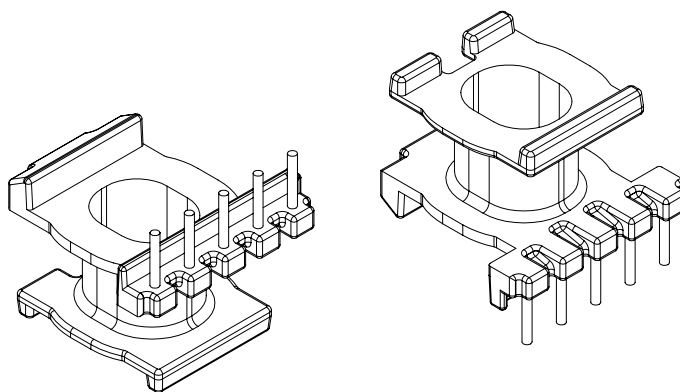
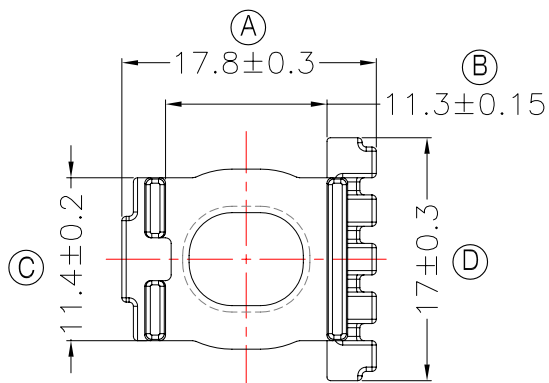


TBI TRANSFORMER BOBBIN INDUSTRIAL CO.,LTD.

Tel : 86-769-88789999 Fax : 86-769-88789989
 http:// tbi-tw.com e-mail : tb6688@ms46.hinet.net

REVISIONS				
REV	SYM	DRAFTER	CHECKER	DATE
△1		X.H.GU	G.F.YANG	10/24/16
△2				
△3				



SECTION A-A

NOTE:
 WINDING SPACE: 6.6mm*2.6mm=17.16mm²

DWG NO.	ATQ17-12.4A-5P-TH-A-11				
PART NO.	MATERIAL (BOBBIN)	MATERIAL (TERMINAL)	TERMINAL (PLATING)	PIN ALLOCATION	NOTE
TBI-238-26011.1106	PM-9630	CP WIRE	Sn	ALL PIN P/L=3.0±0.2	S H
TOLERANCE: 0<L≤4:±0.1 4<L≤16:±0.2 16<L≤63:±0.3				UNIT : m / m	SCALE 1 : 1

Finish: 1. PB wire Immersion Sn on terminal : Thickness:Sn plating,100%,5 μm (200 μ inches) min,Base nickel 0.625 μm (25 μ inches) min.
 2. CP wire Immersion Sn on terminal : Thickness:Sn plating,100%,5 μm (200 μ inches) min.
 3. Coplanarity deviation: 0.10 mm (0.004 inches) max.

REV	1
-----	---