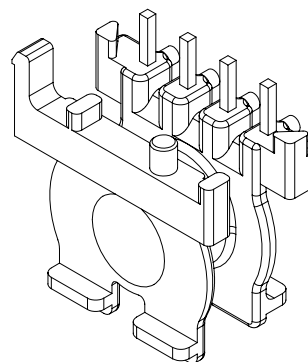
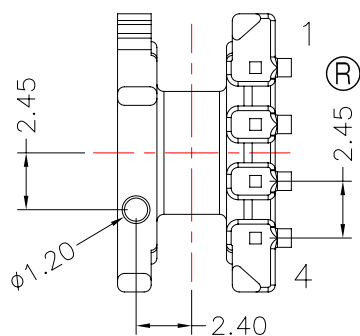
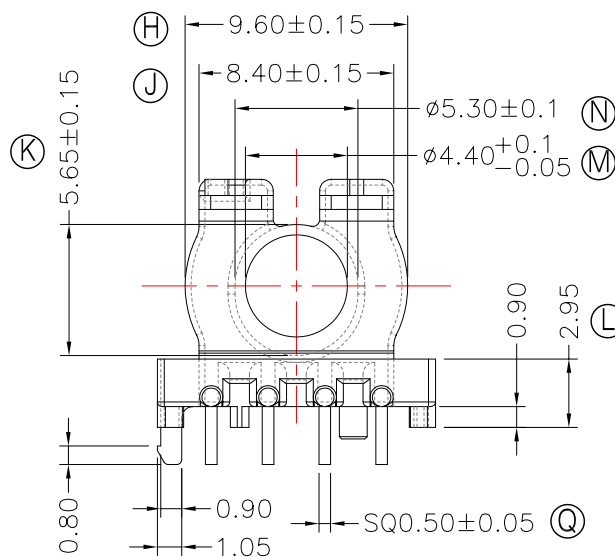
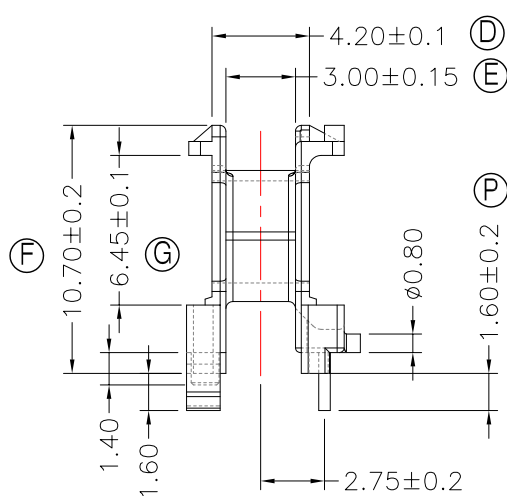
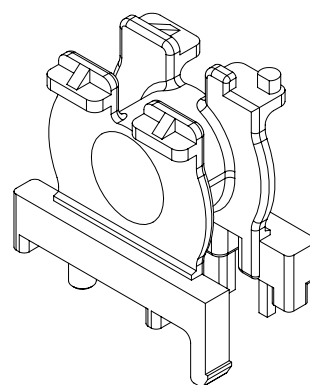
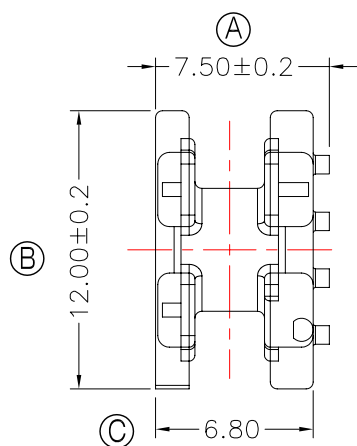




**TRANSFORMER BOBBIN
INDUSTRIAL CO.,LTD.**

Tel : 86-769-88789999 Fax : 86-769-88789989
 http://tbi-tw.com e-mail : tb6688@ms46.hinet.net

REVISIONS				
REV	SYM	DRAFTER	CHECKER	DATE
①		X.H.GU	G.F.YANG	07/19/12
②				
③				



Pull strength of Pin : 0.8 Kg Min

DWG NO.	ATQ13-6.8A-4P-TH-B-12				
PART NO.	MATERIAL (BOBBIN)	MATERIAL (TERMINAL)	TERMINAL (PLATING)	PIN ALLOCATION	NOTE
TBI-238-28021.1206	PM-9820	CP WIRE	Sn	ALL PIN	S
	TOLERANCE: 0<L<=10 ±0.1 10<L<=30 ±0.15 30<L<=100 ±0.2 Angle: ±1°			UNIT : m / m	SCALE 1 : 1
	Finish: 1. PB wire Immersion Sn on terminal : Thickness:Sn plating, 100,5 µm (200 µ inches) min, Base nickel 0.625 µm (25 µ inches) min. 2. CP wire Immersion Sn on terminal : Thickness:Sn plating, 100,5 µm (200 µ inches) min. 3. Coplanarity deviation: 0.10 mm (0.004 inches) max.				REV 1