

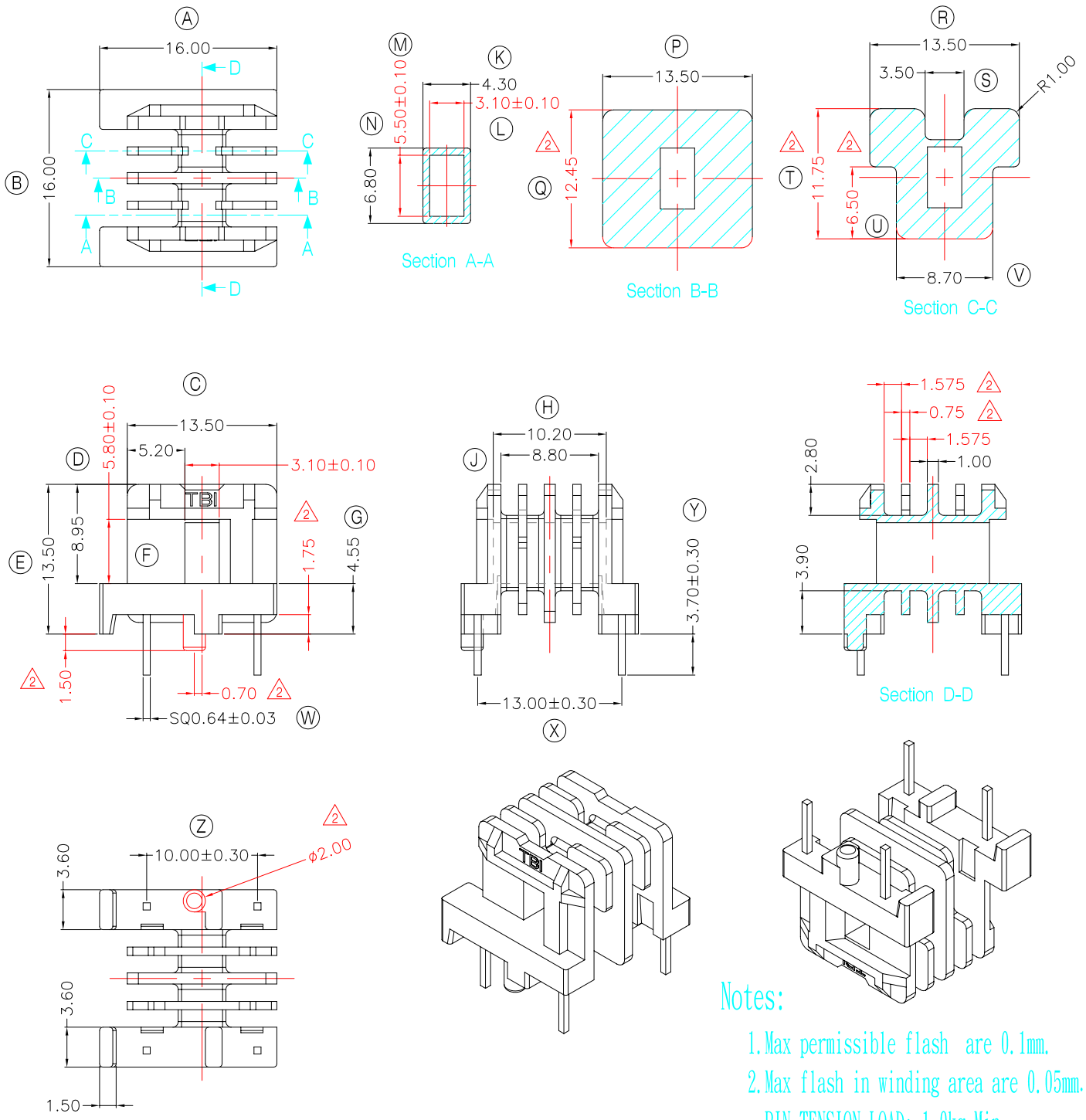


**TRANSFORMER BOBBIN
INDUSTRIAL CO.,LTD.**

Tel : 86-769-88789999 Fax : 86-769-88789999
http:// tbi-tw.com e-mail : tb6688@ms46.hinet.net

REVISIONS

REV	SYM	DRAFTER	CHECKER	DATE
①		X.H.GU	G.F.YANG	09/22/11
②		X.H.GU	G.F.YANG	10/26/11
③				



Notes:

1. Max permissible flash are 0.1mm.
 2. Max flash in winding area are 0.05mm.
- PIN TENSION LOAD: 1.0kg Min

DWG NO.	UU11-16-4P-TH-B-12-4S				
PART NO.	MATERIAL (BOBBIN)	MATERIAL (TERMINAL)	TERMINAL (PLATING)	PIN ALLOCATION	NOTE
TBI-223-07024.1206	PM-9820 ②	CP WIRE	Sn	ALL PIN	UU 1116 H 4F 4PIN S H
TOLERANCE: ±0.2					
UNIT : m / m				SCALE 1 : 1	
Finish: 1. PB wire Immersion Sn on terminal : Thickness:Sn plating,100,5 μm (200 μ inches) min,Base nickel 0.625 μm (25 μ inches) min. 2. CP wire Immersion Sn on terminal : Thickness:Sn plating,100,5 μm (200 μ inches) min. 3. Coplanarity deviation: 0.10 mm (0.004 inches) max.					REV 2