

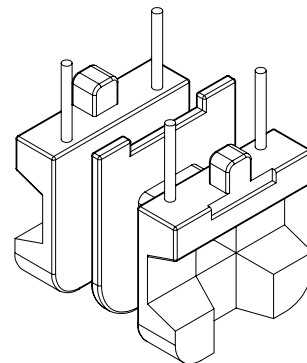
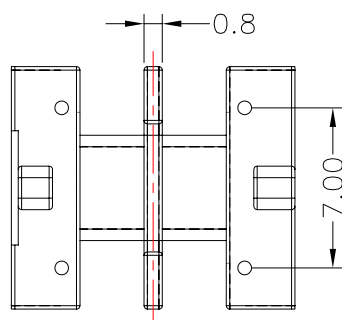
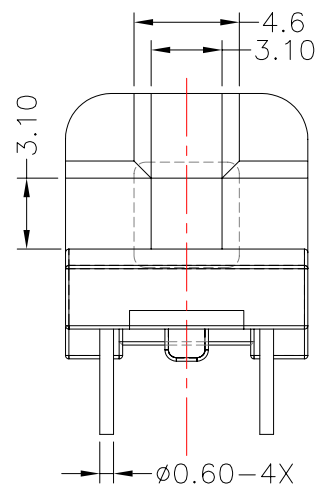
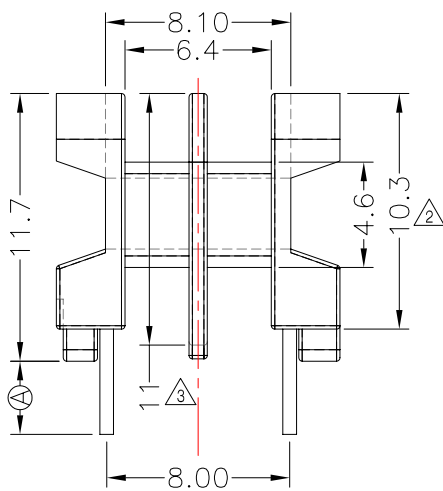
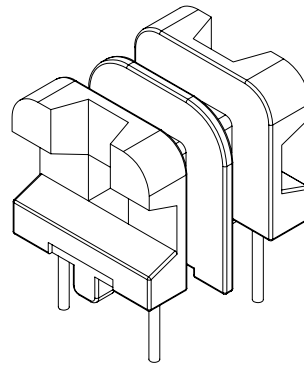
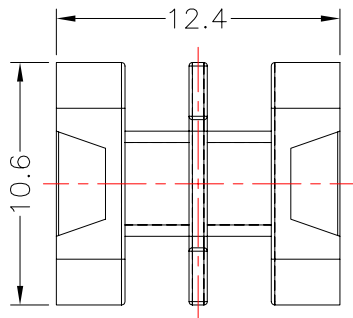


**TRANSFORMER BOBBIN
INDUSTRIAL CO.,LTD.**

Tel : 86-769-88789999 Fax : 86-769-88789989
http:// tbi-tw.com e-mail : tb6688@ms46.hinet.net

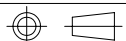
REVISIONS

REV	SYM	DRAFTER	CHECKER	DATE
△3		G.F.YANG	W.H.HSU	04/18/08
△4		YAN.TANG	G.F.YANG	05/26/08
△5		X.H.GU	G.F.YANG	05/19/14



DWG NO. UU9.8-4P-TH-7.0-A-16-2S △5

PART NO.	MATERIAL (BOBBIN)	MATERIAL (TERMINAL)	TERMINAL (PLATING)	PIN ALLOCATION	NOTE
TBI-223 -01012.1606	T375HF △5	CP WIRE	Sn	ALL PIN (A) = 3.2±0.3 (B) = $\phi 0.6$	52GYCU120101
△4 TBI-223 -01012.1616	T375HF △5	CP WIRE	Sn	ALL PIN (A) = 4.0±0.3 (B) = $\phi 0.6$	H
△4 TBI-223 -01012.1626	T375HF △5	CP WIRE	Sn	ALL PIN (A) = 3.5±0.3 (B) = $\phi 0.6$	
△4 TBI-223 -01012.1636	T375HF △5	CP WIRE	Sn	ALL PIN (A) = 4.0±0.3 (B) = SQ0.5	
TBI-223 -01012.1646	T375HF △5	CP WIRE	Sn	ALL PIN (A) = 3.5±0.2 (B) = $\phi 0.6$	PIN根部咬花外漏 規格:寬度1.5±0.3,深度0.05Min
F TBI-223 -01012.1656	T375HF △5	CP WIRE	Sn	ALL PIN (A) = 4.0±0.2 (B) = $\phi 0.6$	PIN根部咬花外漏 規格:寬度1.5±0.3,深度0.05Min



TOLERANCE: .X±0.15 .XX±0.10 .XXX±0.05

UNIT : m / m

SCALE 3 : 1

Finish: 1. Pb wire Immersion Sn on terminal : Thickness:Sn plating,100,5 μ m (200 μ inches) min,Base nickel 0.625 μ m (25 μ inches) min.
2. CP wire Immersion Sn on terminal : Thickness:Sn plating,100,5 μ m (200 μ inches) min.
3. Coplanarity deviation: 0.10 mm (0.004 inches) max.

REV 5