

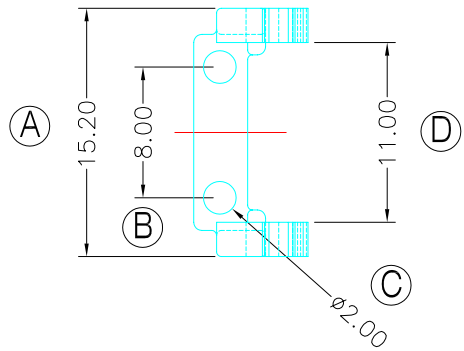


TRANSFORMER BOBBIN INDUSTRIAL CO.,LTD.

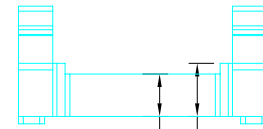
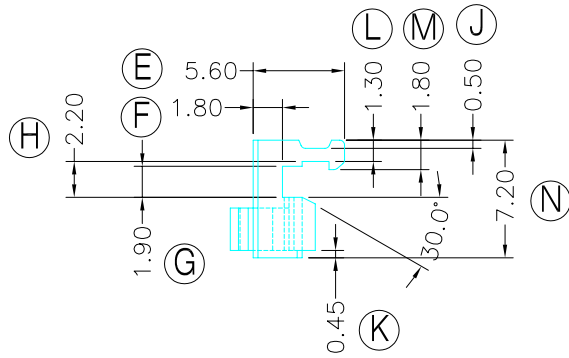
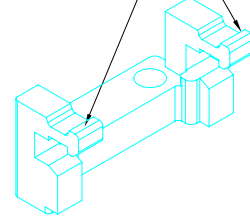
Tel : 86-769-88789999 Fax : 86-769-88789989  
 http://tbi-tw.com e-mail : tb6688@ms46.hinet.net

REVISIONS

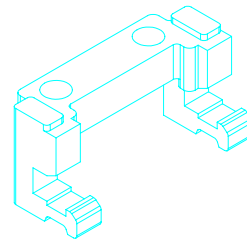
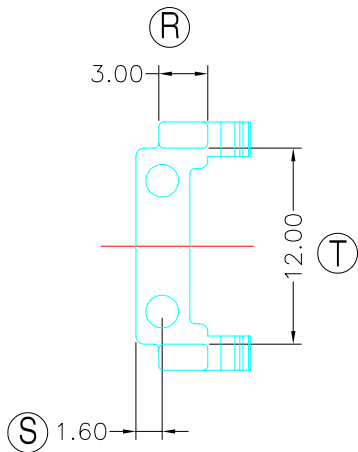
REV	SYM	DRAFTER	CHECKER	DATE
①		X.H.GU	G.F.YANG	10/11/12
②				
③				



此處強度1.5KgMin.



② ③



NOTE:

任意一點強度2.0KgMin(除特別說明除強度1.5KgMin)  
 與TBI-236-01111.11XX(LEP33-11.2-5P-TU-A1-11)配套使用;

DWG NO.	LEP33-11.2-BASE-A1-91				
PART NO.	MATERIAL (BOBBIN)	MATERIAL (TERMINAL)	TERMINAL (PLATING)	PIN ALLOCATION	NOTE
TBI-236-01111.91B	FR530(BK)	NA	NA	NA	
	TOLERANCE:0<L<=4:±0.1 4<L<=16:±0.2 16<L<=63:±0.3			UNIT : m / m	SCALE 1 : 1

Finish: 1. PB wire Immersion Sn on terminal : Thickness:Sn plating,100,5 μm (200 μ inches) min,Base nickel 0.625 μm (25 μ inches) min.  
 2. CP wire Immersion Sn on terminal : Thickness:Sn plating,100,5 μm (200 μ inches) min.  
 3. Coplanarity deviation: 0.10 mm (0.004 inches) max.

REV	1
-----	---