

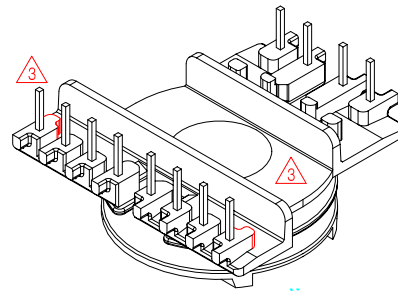
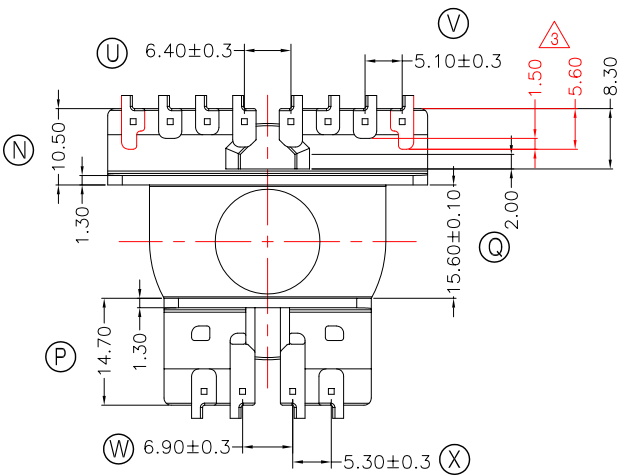
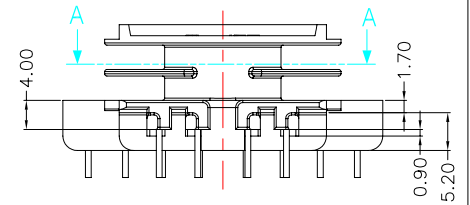
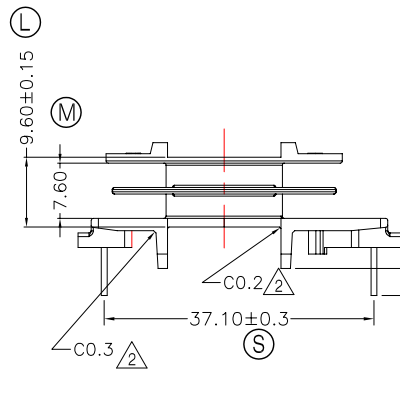
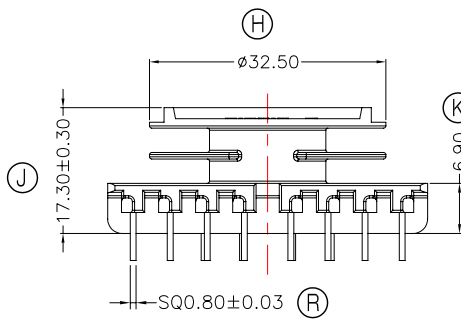
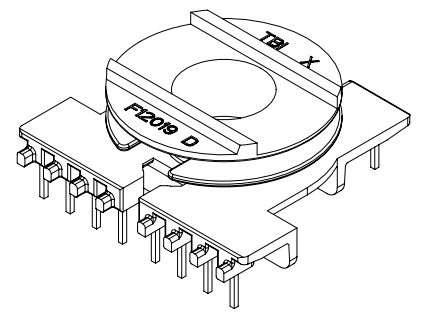
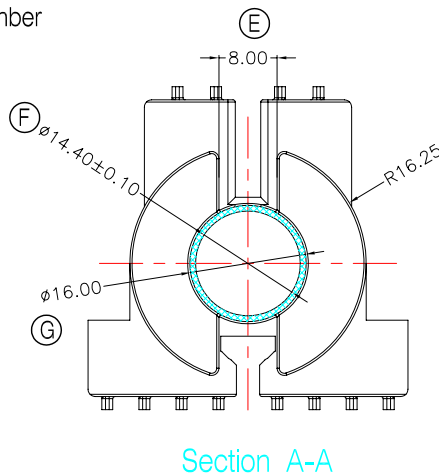
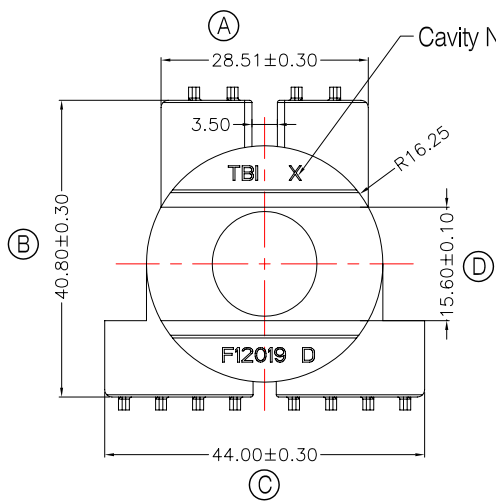


**TRANSFORMER BOBBIN
INDUSTRIAL CO.,LTD.**

Tel : 86-769-88789999 Fax : 86-769-88789999
http:// tbi-tw.com e-mail : tb6688@ms46.hinet.net

REVISIONS

REV	SYM	DRAFTER	CHECKER	DATE
①		H.X.DUAN	G.F.YANG	01/02/12
②		H.X.DUAN	G.F.YANG	02/08/12
③		F.LU	G.F.YANG	05/17/12



- Notes:
1. Max permissible flashes are 0.1mm.
 2. Max flashes in winding area are 0.05mm.
 - PIN TENSION LOAD: 1.0kg Min

DWG NO.	EER43-V-12P-TH-H-12-2S				
PART NO.	MATERIAL (BOBBIN)	MATERIAL (TERMINAL)	TERMINAL (PLATING)	PIN ALLOCATION	NOTE
TBI-204-14082.1206	PM-9820	CP WIRE	Sn	ALL PIN	F12019 D
					H
TOLERANCE: ± 0.2				UNIT : m / m	SCALE 1 : 1

Finish: 1. PB wire Immersion Sn on terminal : Thickness:Sn plating,100,5 μm (200 μ inches) min,Base nickel 0.625 μm (25 μ inches) min.
2. CP wire Immersion Sn on terminal : Thickness:Sn plating,100,5 μm (200 μ inches) min.
3. Coplanarity deviation: 0.10 mm (0.004 inches) max.

REV 3