

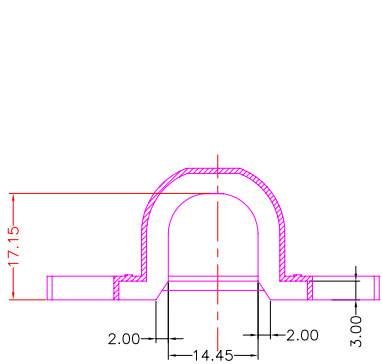


# TRANSFORMER BOBBIN INDUSTRIAL CO.,LTD.

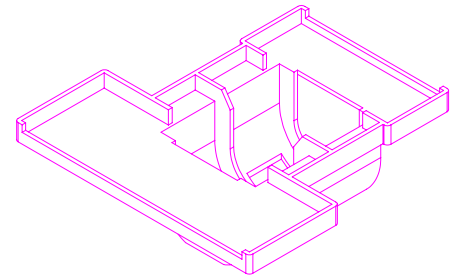
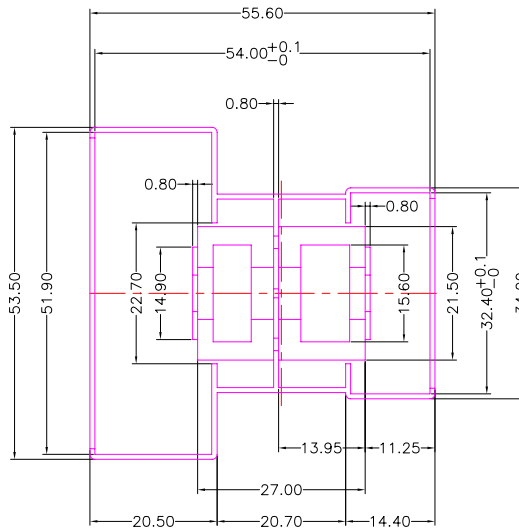
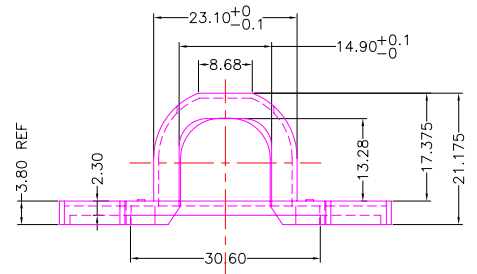
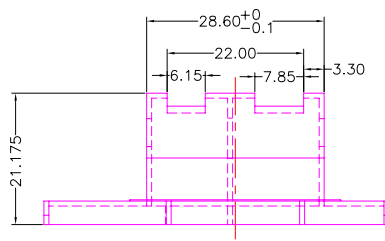
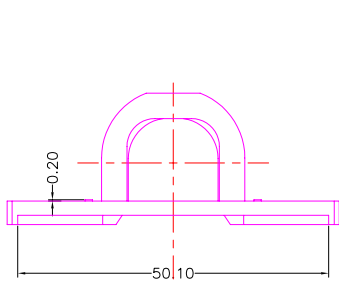
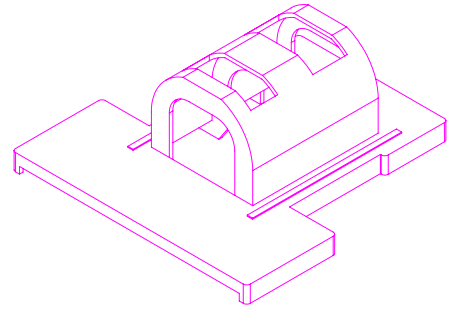
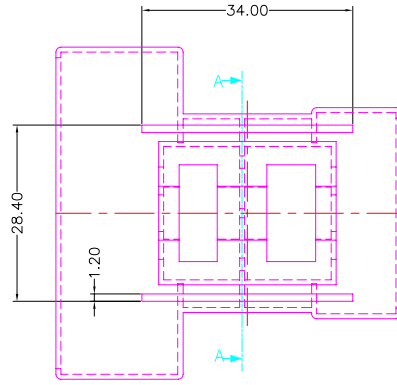
Tel : 86-769-88789999 Fax : 86-769-88789989  
http:// tbi-tw.com e-mail : tb6688@ms46.hinet.net

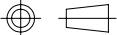
## REVISIONS

REV	SYM	DRAFTER	CHECKER	DATE
△1		X.H.GU	G.F.YANG	04/12/10
△2				
△3				



Section A-A



DWG NO.	EER35-15P-CASE-A3-91-2S				
PART NO.	MATERIAL (BOBBIN)	MATERIAL (TERMINAL)	TERMINAL (PLATING)	PIN ALLOCATION	NOTE
TBI-204-05132.91C	PET FR530 (BK)	NA	NA	NA	
 TOLERANCE: 0<L<=4:±0.1 4<L<=16:±0.2 16<L<=63:±0.3				UNIT : m / m	
SCALE 1 : 1					

Finish:

- PB wire Immersion Sn on terminal : Thickness:Sn plating,100,5 μm (200 μ inches) min,Base nickel 0.625 μm (25 μ inches) min.
- CP wire Immersion Sn on terminal : Thickness:Sn plating,100,5 μm (200 μ inches) min.
- Coplanarity deviation: 0.10 mm (0.004 inches) max.

REV 1