

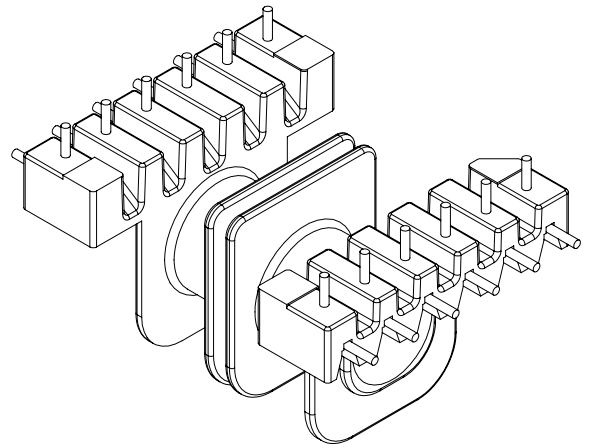
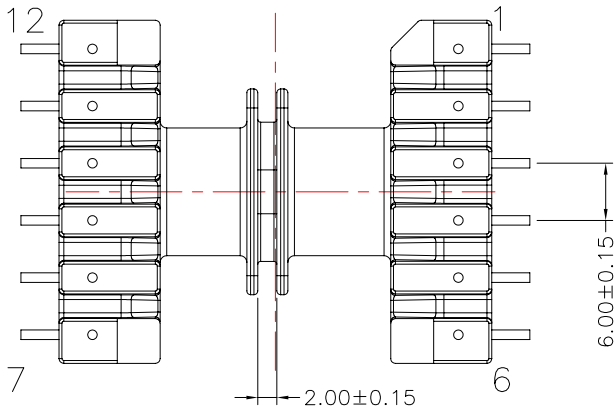
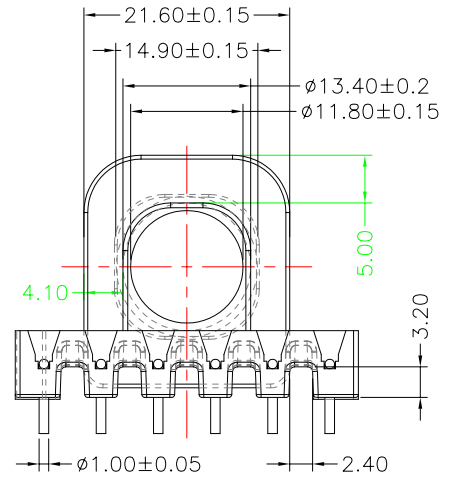
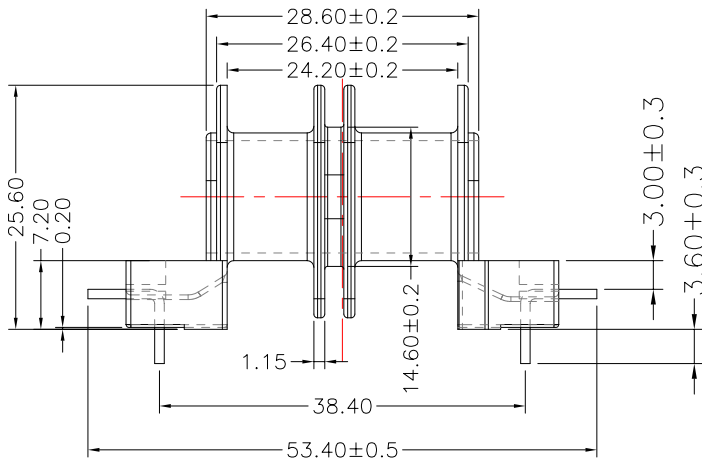
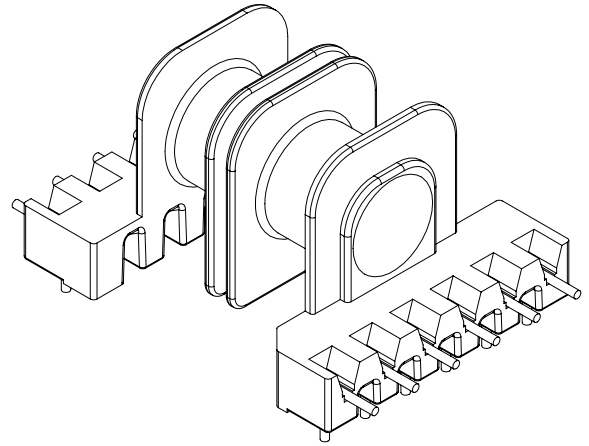
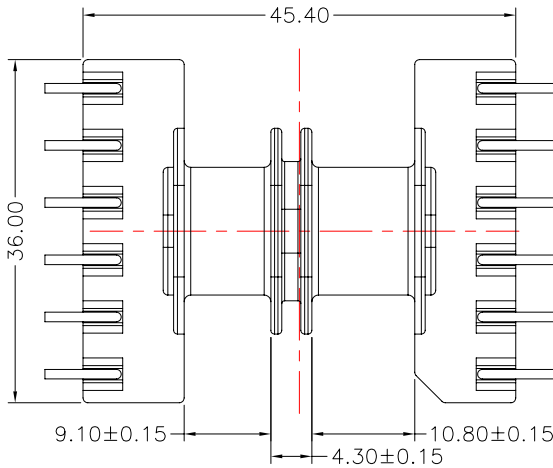


**TRANSFORMER BOBBIN
INDUSTRIAL CO.,LTD.**

Tel : 86-769-88789999 Fax : 86-769-88789989
 http:// tbi-tw.com e-mail : tb6688@ms46.hinet.net

REVISIONS

| REV | SYM | DRAFTER | CHECKER | DATE |
|-----|-----|----------|---------|----------|
| △1 | | G.F.YANG | W.H.HSU | 04/06/10 |
| △2 | | | | |
| △3 | | | | |



Winding Space=(10.8+9.1)*4.1=81.59mm²

| | | | | | |
|---|--------------------------|---------------------|--------------------|----------------|-------------|
| DWG NO. | EER35-42-12P-TH-A2-12-2S | | | | |
| PART NO. | MATERIAL (BOBBIN) | MATERIAL (TERMINAL) | TERMINAL (PLATING) | PIN ALLOCATION | NOTE |
| TBI-204-05122.1206 | PM-9820 | CP WIRE | Sn | ALL PIN | |
| | | | | | |
| | | | | | |
| | | | | | |
| | | | | | |
| TOLERANCE: 0<L<=4±0.1 4<L<=16±0.2 16<L<=63±0.3 Pin Pitch ±0.2 | | | | UNIT : m / m | SCALE 1 : 1 |

Finish: 1. PB wire Immersion Sn on terminal : Thickness:Sn plating,100,5 μm (200 μ inches) min,Base nickel 0.625 μm (25 μ inches) min.
 2. CP wire Immersion Sn on terminal : Thickness:Sn plating,100,5 μm (200 μ inches) min.
 3. Coplanarity deviation: 0.10 mm (0.004 inches) max.

REV 1