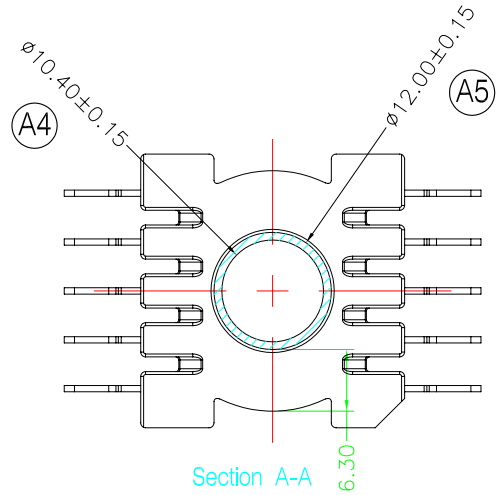
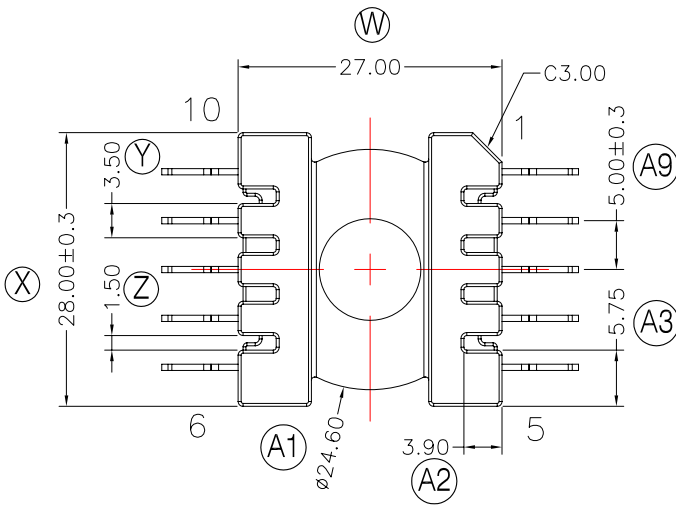
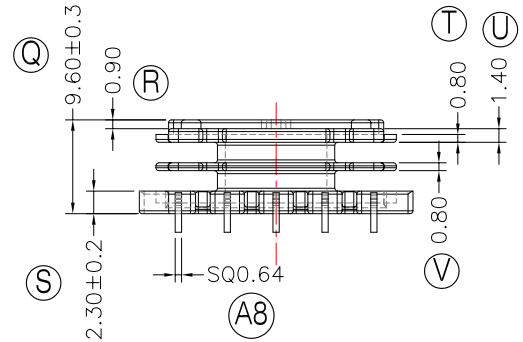
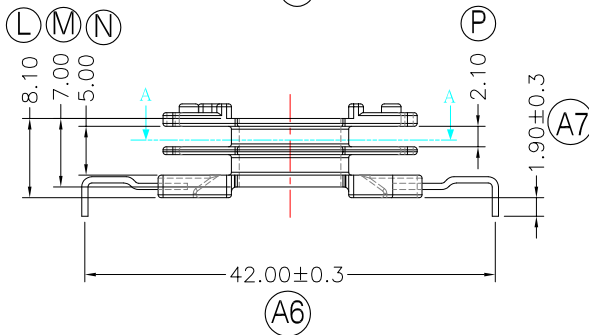
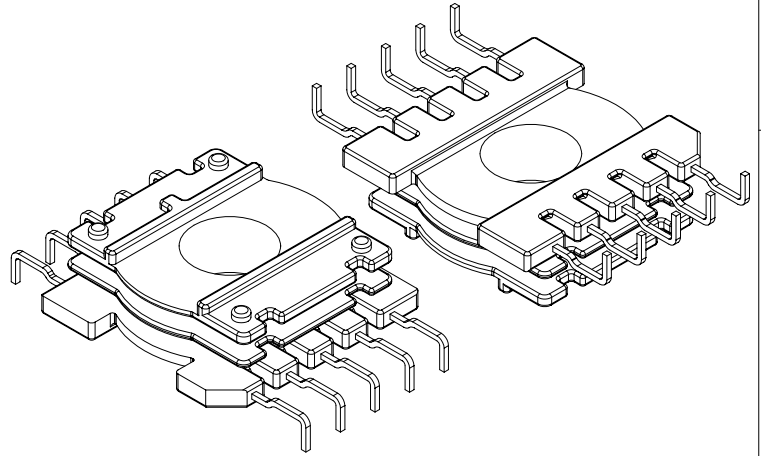
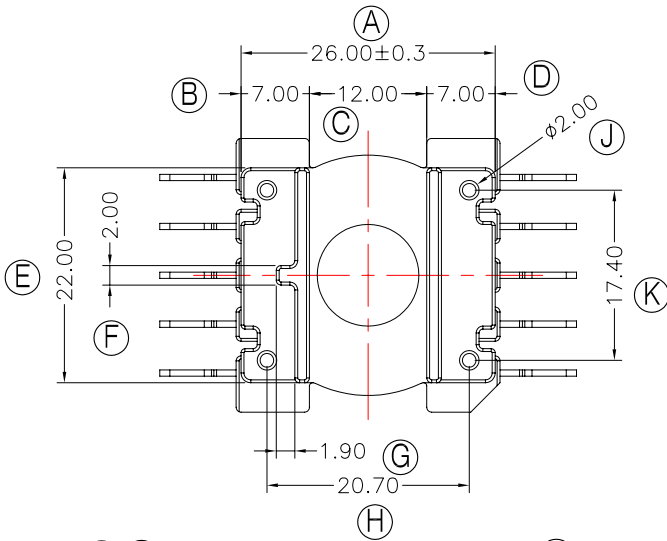




TRANSFORMER BOBBIN INDUSTRIAL CO.,LTD.

Tel : 86-769-88789999 Fax : 86-769-88789989
 http:// tbi-tw.com e-mail : tb6688@ms46.hinet.net

REVISIONS				
REV	SYM	DRAFTER	CHECKER	DATE
①		LI.JIE	G.F.YANG	05/06/10
②				
③				



WINDING SPACE: 4.2mm*6.3mm=26.46mm²

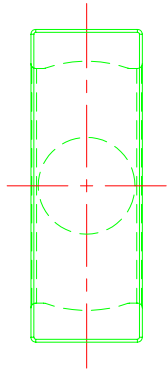
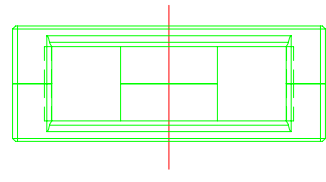
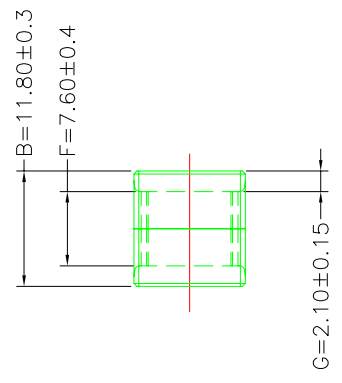
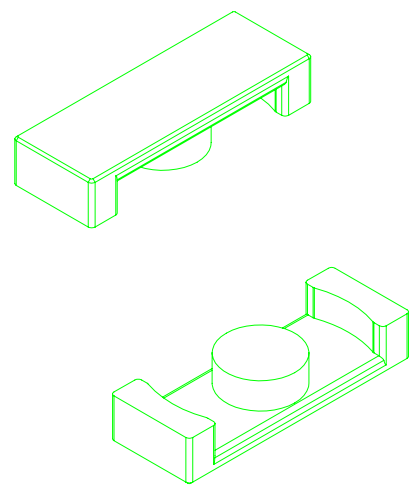
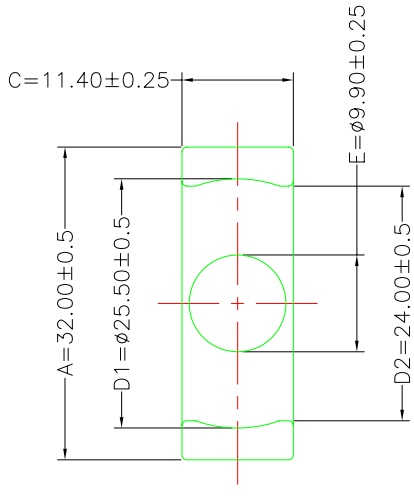
DWG NO.	EER32-11.8-10P-THT-0B-12-2S				
PART NO.	MATERIAL (BOBBIN)	MATERIAL (TERMINAL)	TERMINAL (PLATING)	PIN ALLOCATION	NOTE
TBI-204-15022.1206	PM-9820	CP WIRE	Sn	ALL PIN	S
TOLERANCE: 0<L<=4:±0.1 4<L<=16:±0.2 16<L<=63:±0.3			UNIT : m / m		SCALE 1 : 1
Finish: 1. PB wire Immersion Sn on terminal : Thickness:Sn plating,100,5 μm (200 μ inches) min,Base nickel 0.625 μm (25 μ inches) min. 2. CP wire Immersion Sn on terminal : Thickness:Sn plating,100,5 μm (200 μ inches) min. 3. Coplanarity deviation: 0.10 mm (0.004 inches) max.					REV 1

A-CORE

ELECTRICAL CO.

A-CORE JIANGMEN ELECTRONICS CO.,LTD
 江门安磁电子有限公司
 Tel : 86-750-3867791 Fax : 86-750-3867787

REVISIONS				
REV	SYM	DRAFTER	CHECKER	DATE
①		X.H.GU	G.F.YANG	04/24/10
②				
③				



A1 (Limbs): 82.10mm²
 A2(Back wall) :47.88mm²
 A3(Center post): 76.98mm²
 Ae=58.5mm²
 Le=38.5mm
 C1=0.659mm⁻¹
 Ve=2252.25mm

DWG NO.	EER32-11.8- CORE				
PART NO.	MATERIAL (CORE)	MATERIAL (TERMINAL)	TERMINAL (PLATING)	PIN ALLOCATION	NOTE
EER32-11.8	JPH-10F				
Finish:	TOLERANCE: 0<L<=4:±0.1 4<L<=16:±0.2 16<L<=63:±0.3			UNIT : m / m	SCALE 1 : 1
				REV	1

A-CORE

A-CORE JIANGMEN ELECTRONICS CO.,LTD
江門安磁電子有限公司

TBI

TRANSFORMER BOBBIN
INDUSTRIAL CO.,LTD.

ELECTRICAL CO. Tel : 86-750-3867791 Fax : 86-750-3867787

Tel : 86-769-88789999 Fax : 86-769-88789989

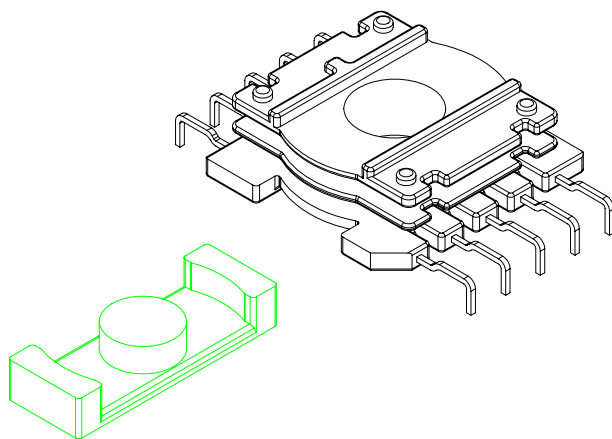
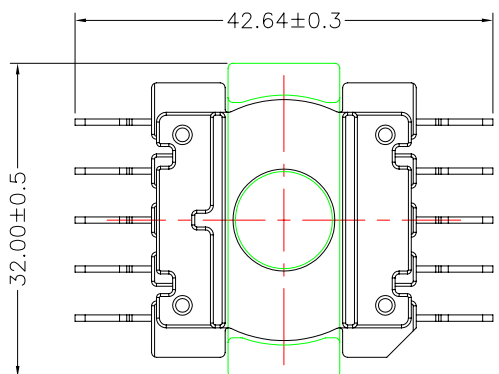
e-mail : sales@acore-ferrite.com

http:// tbi-tw.com e-mail : tb6688@ms46.hinet.net

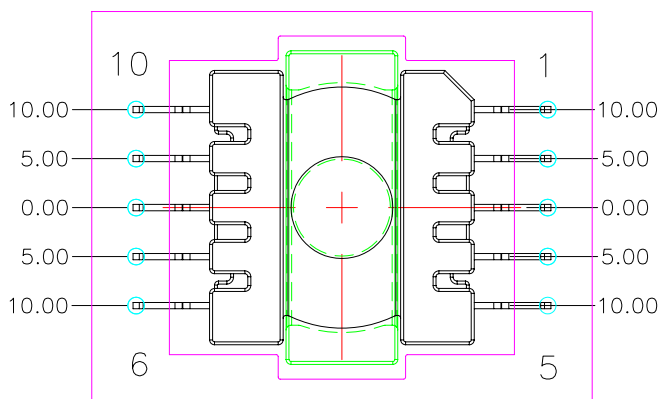
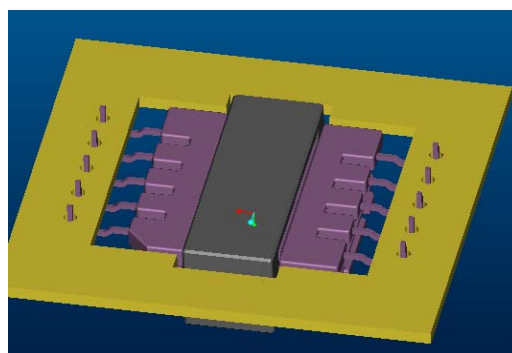
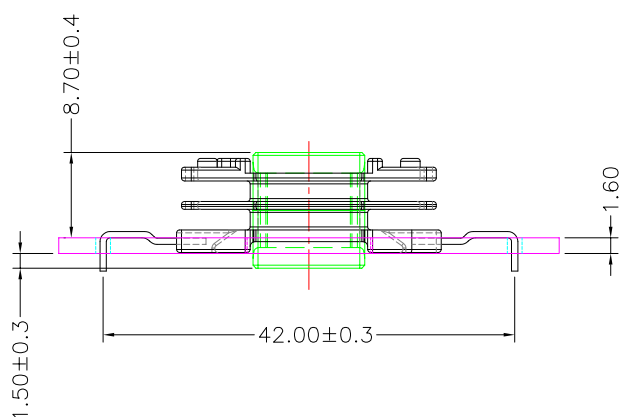
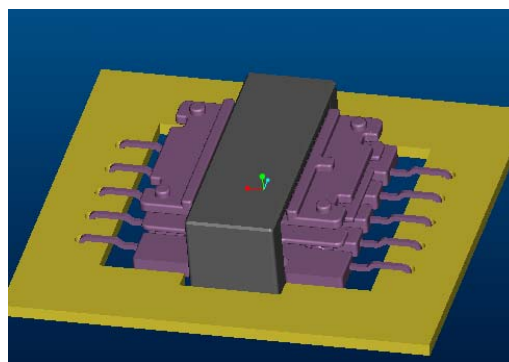
REVISIONS

REV	SYM	DRAFTER	CHECKER	DATE
1		LI.JIE	G.F.YANG	05/06/10
2				
3				

TOP



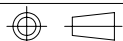
TOP



BOTTOM

BOTTOM

ITEM	PART NO.	MATERIAL	DWG NO.	Core Set Parameters
CORE	EER32-11.8	JPH-10F		
BOBBIN	TBI-204-15022.12XX		EER32-11.8-10P-THT-0B-12-2S	Ae=58.5mm ² Le=38.5mm C1=0.659mm ⁻¹ Ve=2252.25mm



UNIT : m/m

SCALE 1:1

REV 1