

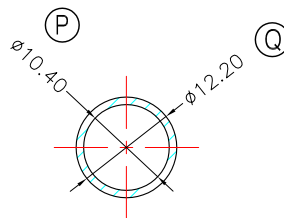
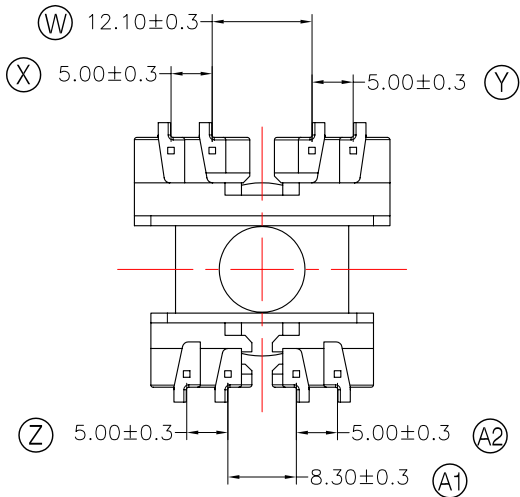
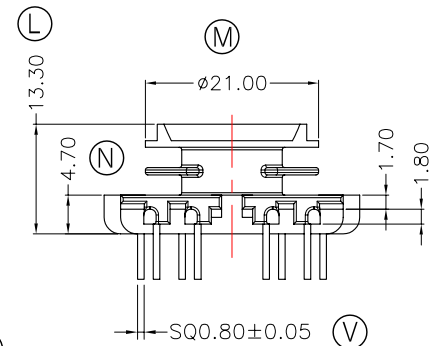
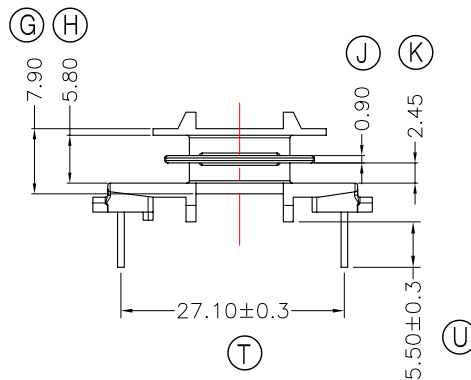
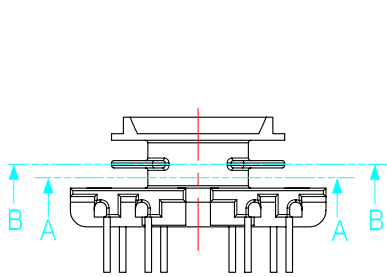
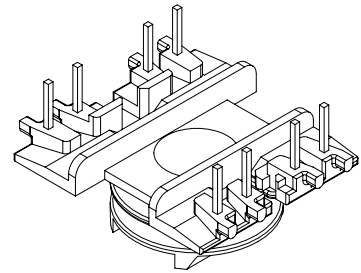
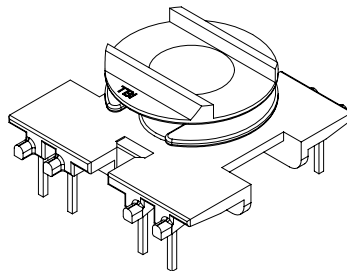
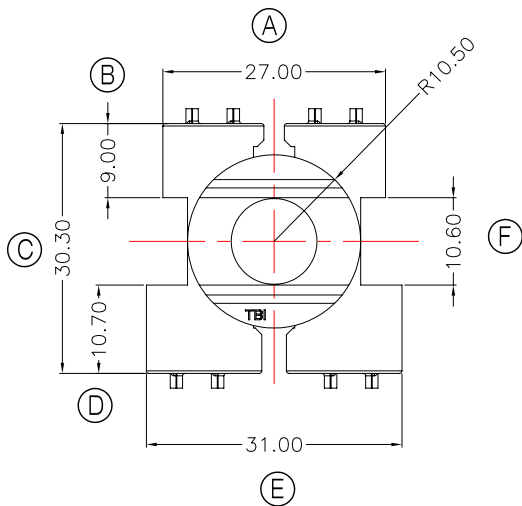


**TRANSFORMER BOBBIN
INDUSTRIAL CO.,LTD.**

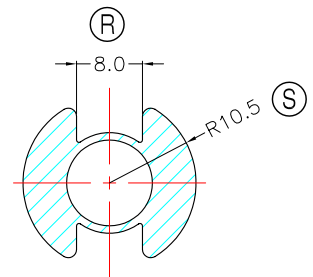
Tel : 86-769-88789999 Fax : 86-769-88789989
 http:// tbi-tw.com e-mail : tb6688@ms46.hinet.net

REVISIONS

REV	SYM	DRAFTER	CHECKER	DATE
△		X.H.GU	G.F.YANG	09/22/11
△				
△				



Section A-A



Section B-B

PIN TENSION LOAD: 1.0kg Min

DWG NO.	EER30-V-8P-TH-E-12-2S				
PART NO.	MATERIAL (BOBBIN)	MATERIAL (TERMINAL)	TERMINAL (PLATING)	PIN ALLOCATION	NOTE
TBI-204-03052.1206	PM-9820	CP WIRE	Sn	ALL PIN	ER 3014 V 8PIN
					S
					H
TOLERANCE: :±0.2				UNIT : m/m	SCALE 1:1

Finish: 1. PB wire Immersion Sn on terminal : Thickness:Sn plating,100,5 μm (200 μ inches) min,Base nickel 0.625 μm (25 μ inches) min.
 2. CP wire Immersion Sn on terminal : Thickness:Sn plating,100,5 μm (200 μ inches) min.
 3. Coplanarity deviation: 0.10 mm (0.004 inches) max.

REV 1