

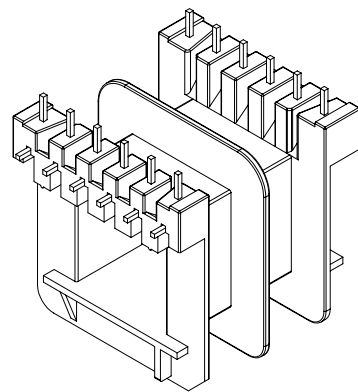
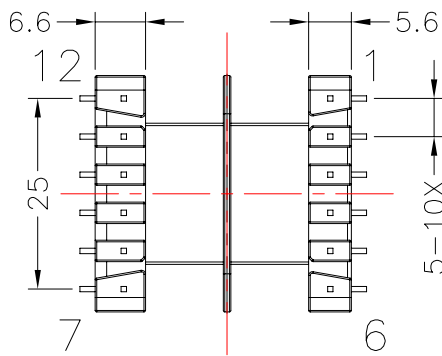
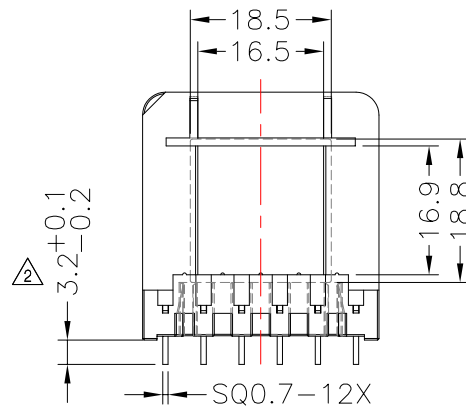
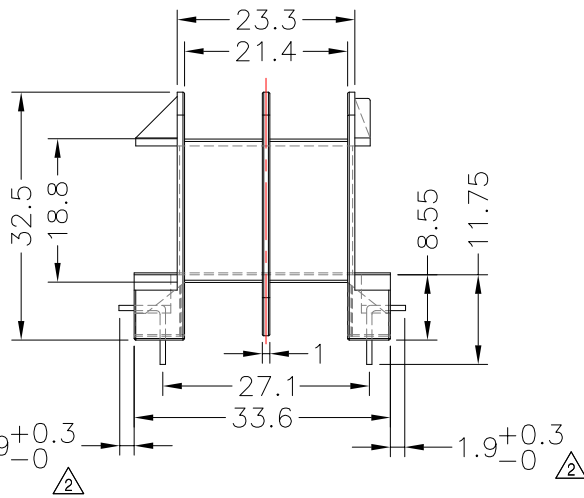
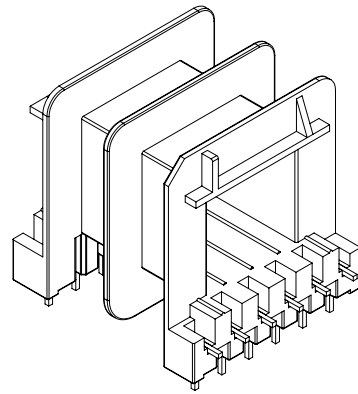
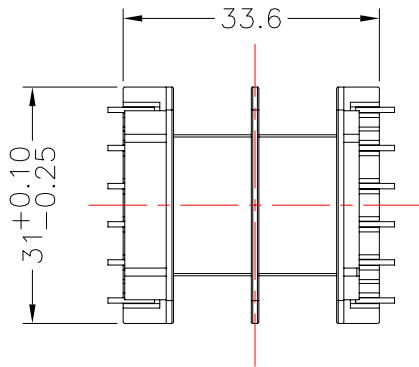


TRANSFORMER BOBBIN INDUSTRIAL CO.,LTD.

Tel : 86-769-88789999 Fax : 86-769-88789989
 http:// tbi-tw.com e-mail : tb6688@ms46.hinet.net

REVISIONS

REV	SYM	DRAFTER	CHECKER	DATE
①		G.L.LEE	S.M.SHIH	08/28/06
②		Y.G.HSU	W.H.HSU	04/12/07
③				



DWG NO.	EI48-12P-THL-5.0-A-7-2S				
PART NO.	MATERIAL (BOBBIN)	MATERIAL (TERMINAL)	TERMINAL (PLATING)	PIN ALLOCATION	NOTE
TBI-202-05012.706	6410G5(NYLON)	CP WIRE	Sn	ALL PIN	
TBI-202-05012.716	6410G5(NYLON)	CP WIRE	Sn	COT PIN#3.4.6.9.10.12	52GTR491P
TOLERANCE: .X±0.15 .XX±0.10 .XXX±0.05				UNIT : m / m	SCALE 1: 1

Finish: 1. PB wire Immersion Sn on terminal : Thickness:Sn plating,100,5 μm (200 μ inches) min,Base nickel 0.625 μm (25 μ inches) min.
 2. CP wire Immersion Sn on terminal : Thickness:Sn plating,100,5 μm (200 μ inches) min.
 3. Coplanarity deviation: 0.10 mm (0.004 inches) max.

REV	2
-----	---