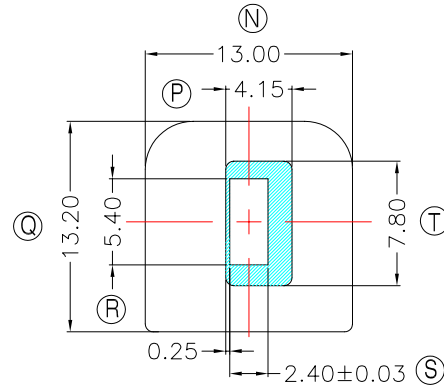
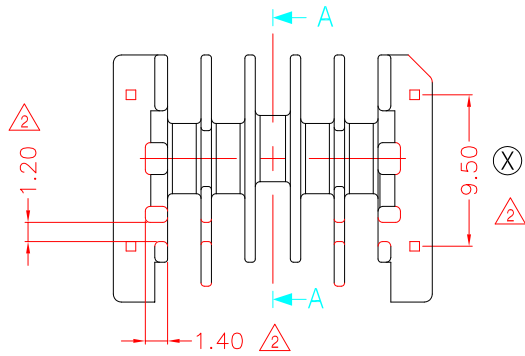
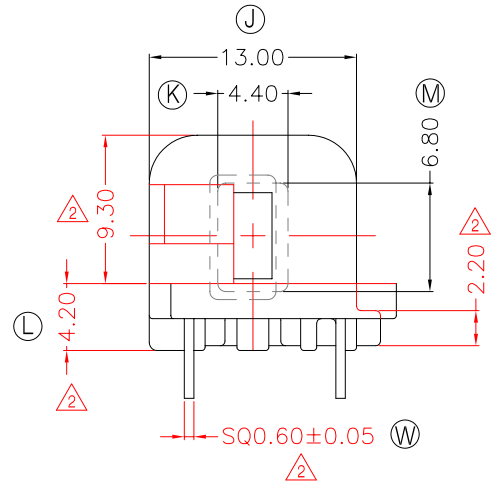
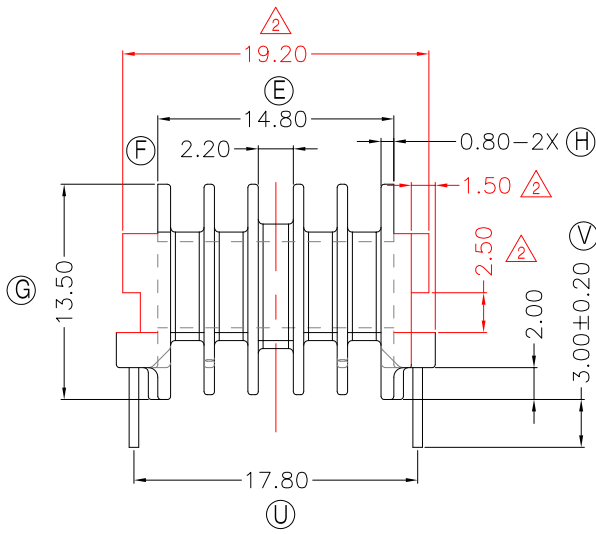
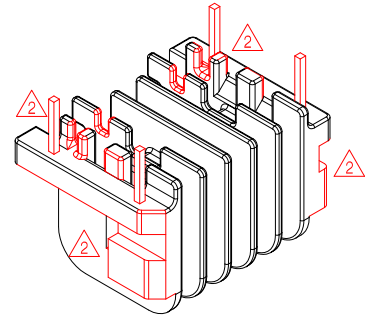
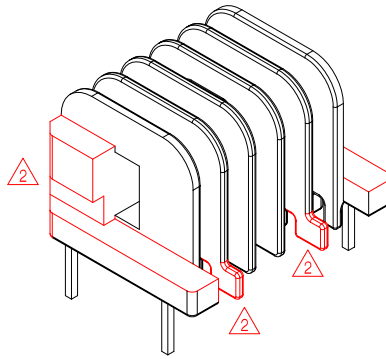
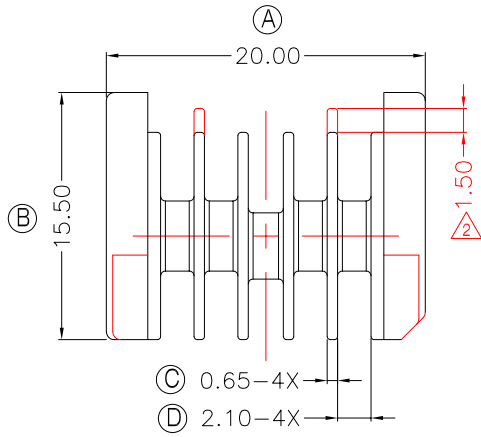


**TRANSFORMER BOBBIN INDUSTRIAL CO.,LTD.**

Tel : 86-769-88789999 Fax : 86-769-88789999  
http:// tbi-tw.com e-mail : tb6688@ms46.hinet.net

REVISIONS				
REV	SYM	DRAFTER	CHECKER	DATE
①		X.H.GU	G.F.YANG	06/23/14
②		X.H.GU	G.F.YANG	09/05/14
③				



Section A-A

DWG NO.	EI20-4P-TH-A-11-5S
---------	--------------------

PART NO.	MATERIAL (BOBBIN)	MATERIAL (TERMINAL)	TERMINAL (PLATING)	PIN ALLOCATION	NOTE
----------	-------------------	---------------------	--------------------	----------------	------

TBI-202-12015.1106	PM-9630	CP WIRE	Sn	ALL PIN	S
--------------------	---------	---------	----	---------	---

					H
--	--	--	--	--	---

	TOLERANCE: 0<L<=4: ±0.1 4<L<=16: ±0.2 16<L<=63: ±0.3	UNIT : m / m	SCALE 1 : 1
--	--	--------------	-------------

- Finish:
1. PB wire Immersion Sn on terminal : Thickness:Sn plating,100%,5 μm (200 μ inches) min,Base nickel 0.625 μm (25 μ inches) min.
  2. CP wire Immersion Sn on terminal : Thickness:Sn plating,100%,5 μm (200 μ inches) min.
  3. Coplanarity deviation: 0.10 mm (0.004 inches) max.

REV	2
-----	---