

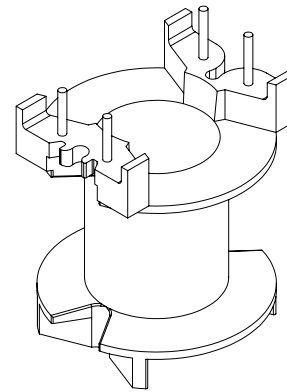
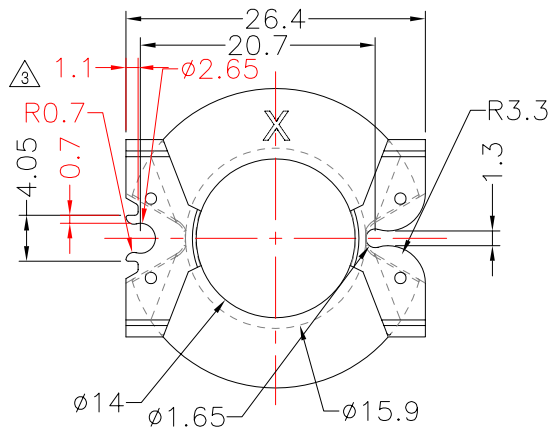
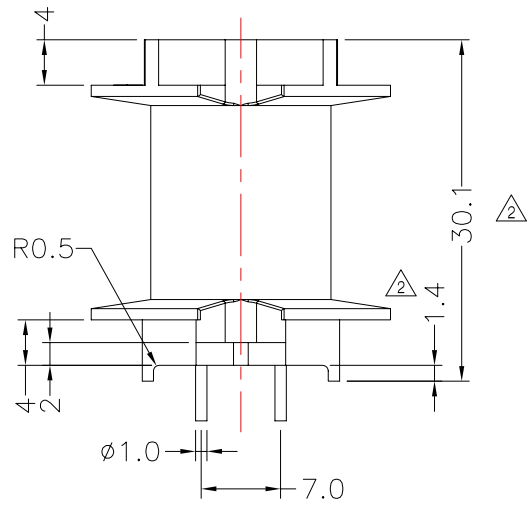
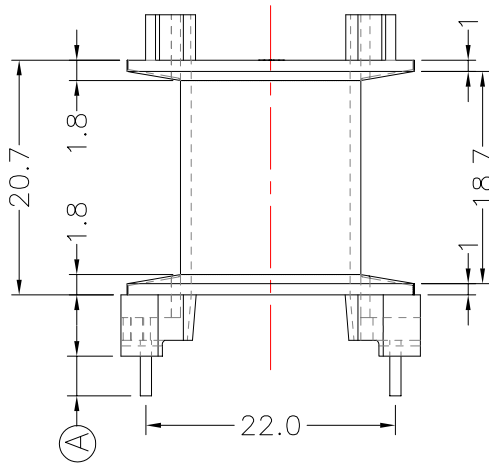
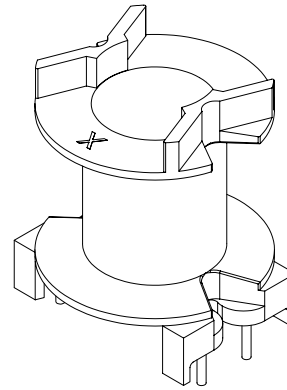
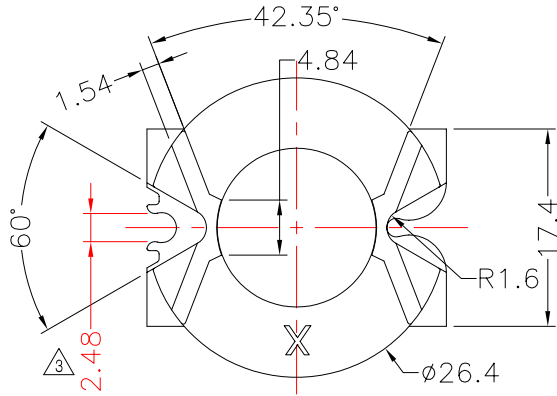


**TRANSFORMER BOBBIN INDUSTRIAL CO.,LTD.**

Tel : 86-769-88789999 Fax : 86-769-88789989  
 http:// tbi-tw.com e-mail : tb6688@ms46.hinet.net

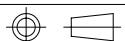
REVISIONS

REV	SYM	DRAFTER	CHECKER	DATE
①		S.Y.TANG	G.F.YANG	04/26/08
②		S.Y.TANG	G.F.YANG	07/06/08
③		S.Y.TANG	G.F.YANG	08/14/08



DWG NO. PQ3230-4P-TH-7.0-D-11

PART NO.	MATERIAL (BOBBIN)	MATERIAL (TERMINAL)	TERMINAL (PLATING)	PIN ALLOCATION	NOTE
TBI-216-02041.1106	PM-9630	C.P WIRE	Sn	ALL PIN (A)=3.5±0.5	
TBI-216-02041.1116	PM-9630	C.P WIRE	Sn	ALL PIN (A)=4.0±0.2	H



TOLERANCE: 0<L<=4: ±0.1 4<L<=16: ±0.2 L>16: ±0.3 Angle: ±1°

UNIT : m / m

SCALE 1.5 : 1

Finish: 1. Pb wire Immersion Sn on terminal : Thickness:Sn plating,100,5 μm (200 μ inches) min,Base nickel 0.625 μm (25 μ inches) min.  
 2. CP wire Immersion Sn on terminal : Thickness:Sn plating,100,5 μm (200 μ inches) min.  
 3. Coplanarity deviation: 0.10 mm (0.004 inches) max.

REV 3