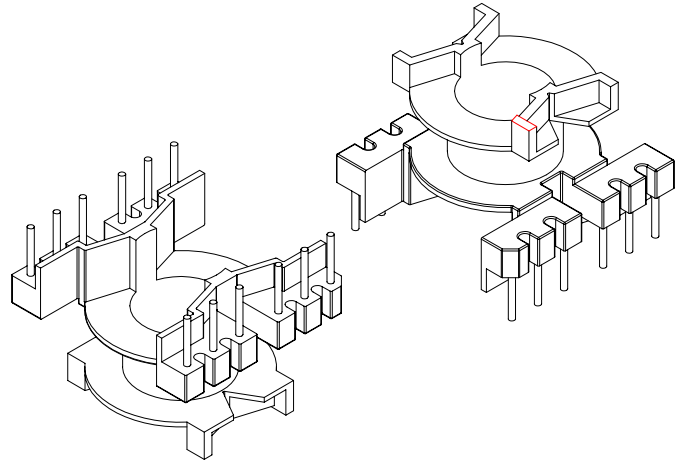
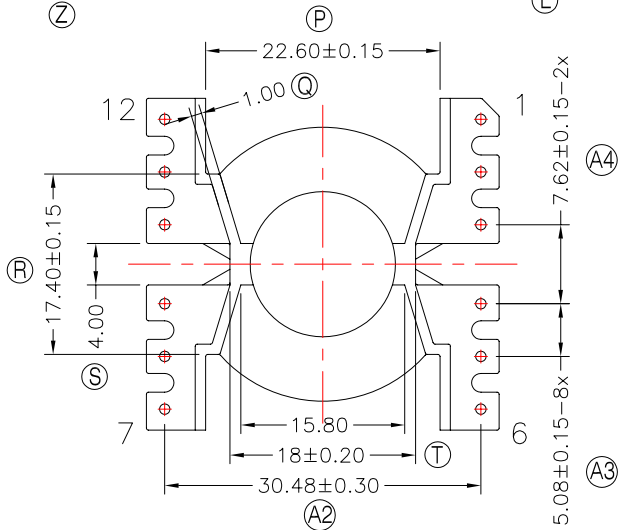
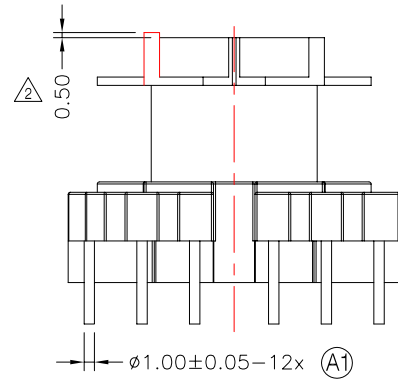
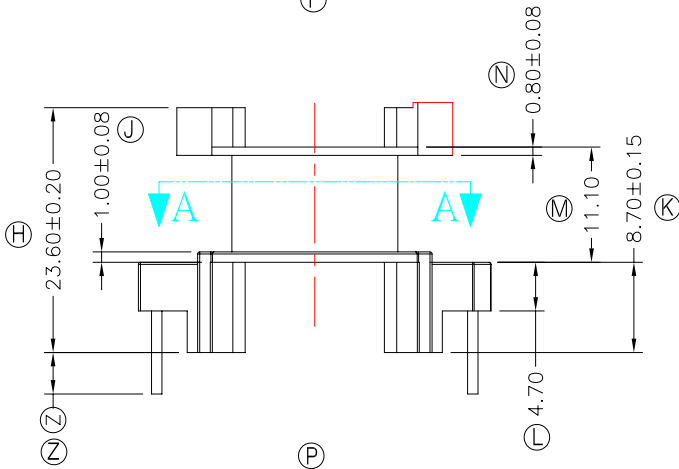
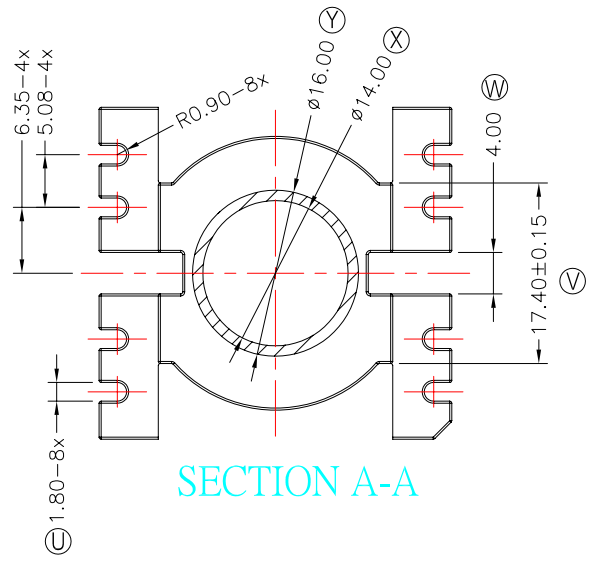
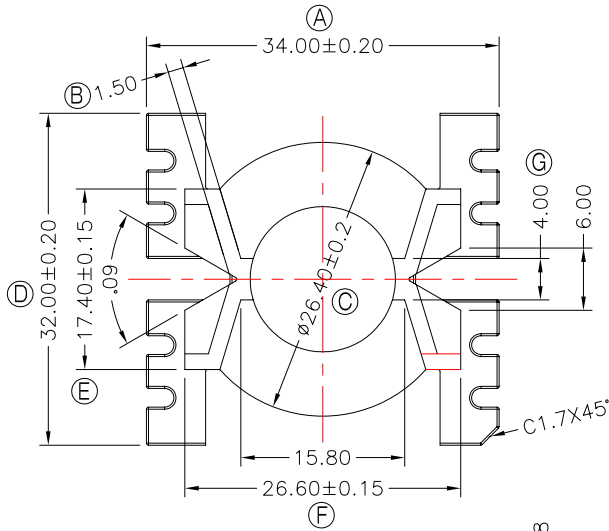




**TRANSFORMER BOBBIN INDUSTRIAL CO.,LTD.**

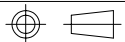
Tel : 86-769-88789999 Fax : 86-769-88789989  
 http:// tbi-tw.com e-mail : tb6688@ms46.hinet.net

REVISIONS				
REV	SYM	DRAFTER	CHECKER	DATE
1		YAN.TANG	G.F.YANG	09/05/08
2		YAN.TANG	G.F.YANG	08/07/10
3				



DWG NO. PQ3220-12P-TH-A-12

PART NO.	MATERIAL (BOBBIN)	MATERIAL (TERMINAL)	TERMINAL (PLATING)	PIN ALLOCATION	NOTE
TBI-216-13011.1206	PM-9820	CP WIRE	Sn	ALL PIN (Z) = 4.0±0.2	S
TBI-216-13011.1216	PM-9820	CP WIRE	Sn	ALL PIN (Z) = 4.9±0.2	H
TBI-216-13011.1226	PM-9820	CP WIRE	Sn	CUT PIN #5,6,7,8,9,12 (Z) = 4.0±0.2	
TBI-216-13011.1236	PM-9820	CP WIRE	Sn	CUT PIN #12 (Z) = 4.0±0.2	
TBI-216-13011.1246	PM-9820	CP WIRE	Sn	CUT PIN #2,6 (A) = 4.0±0.2	
TBI-216-13011.1256	PM-9820	CP WIRE	Sn	CUT PIN #2,5,6 (Z) = 4.0±0.2	



TOLERANCE: ±0.1

UNIT : m / m

SCALE 3 : 2

Finish: 1. PB wire Immersion Sn on terminal : Thickness:Sn plating,100,5 μm (200 μ inches) min,Base nickel 0.625 μm (25 μ inches) min.  
 2. CP wire Immersion Sn on terminal : Thickness:Sn plating,100,5 μm (200 μ inches) min.  
 3. Coplanarity deviation: 0.10 mm (0.004 inches) max.

REV 2