

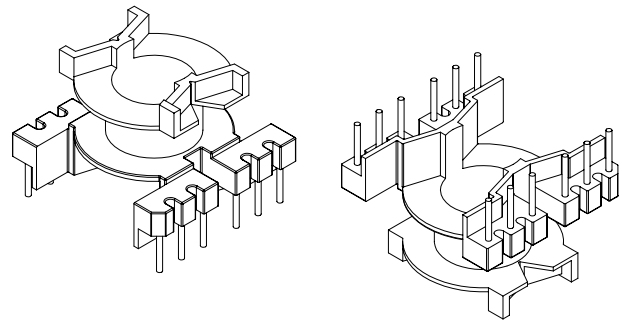
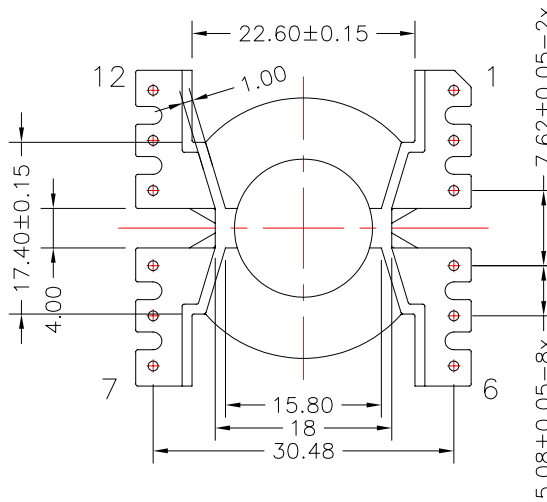
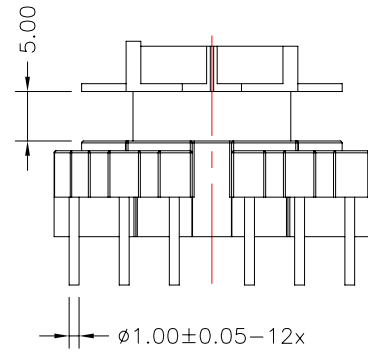
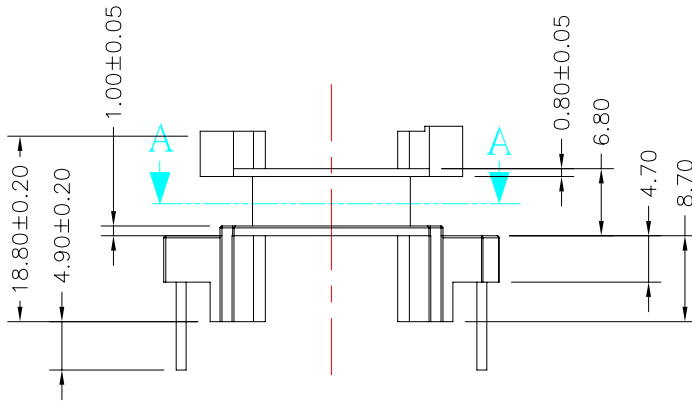
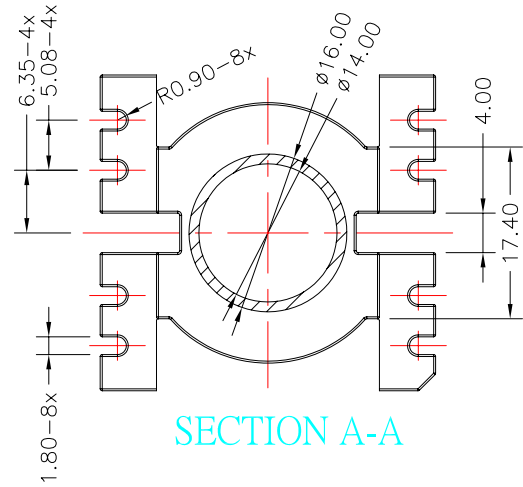
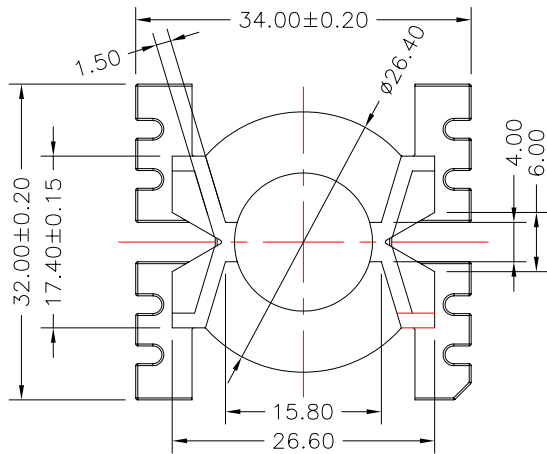


**TRANSFORMER BOBBIN  
INDUSTRIAL CO.,LTD.**

Tel : 86-769-88789999 Fax : 86-769-88789989  
http:// tbi-tw.com e-mail : tb6688@ms46.hinet.net

REVISIONS

REV	SYM	DRAFTER	CHECKER	DATE
①		G.F.YANG	W.H.HSU	06/20/11
②				
③				



DWG NO. PQ3216-12P-TH-A1-12

PART NO.	MATERIAL (BOBBIN)	MATERIAL (TERMINAL)	TERMINAL (PLATING)	PIN ALLOCATION	NOTE
TBI-216-13111.1206	PM-9820	CP WIRE	Sn	ALL PIN	S

TBI-216-13111.1206

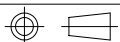
PM-9820

CP WIRE

Sn

ALL PIN

S



TOLERANCE: ±0.1

UNIT : m/m

SCALE 3:2

Finish: 1. PB wire Immersion Sn on terminal : Thickness:Sn plating,100,5μm (200μ inches) min,Base nickel 0.625μm (25μ inches) min.  
2. CP wire Immersion Sn on terminal : Thickness:Sn plating,100,5μm (200μ inches) min.  
3. Coplanarity deviation: 0.10 mm (0.004 inches )max.

REV 1