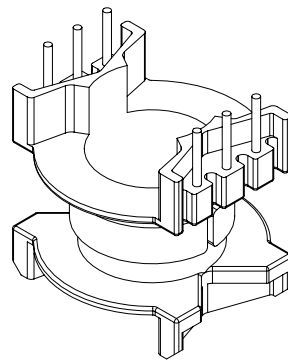
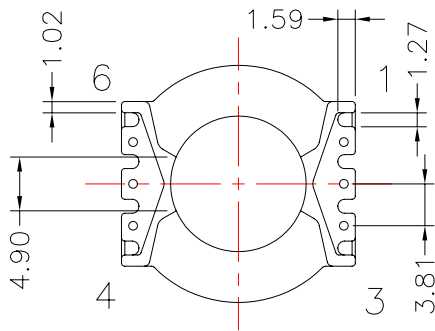
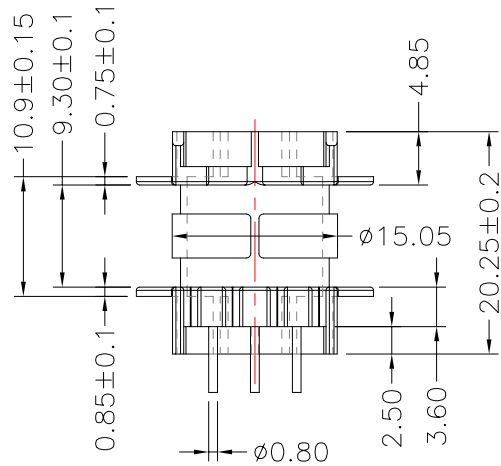
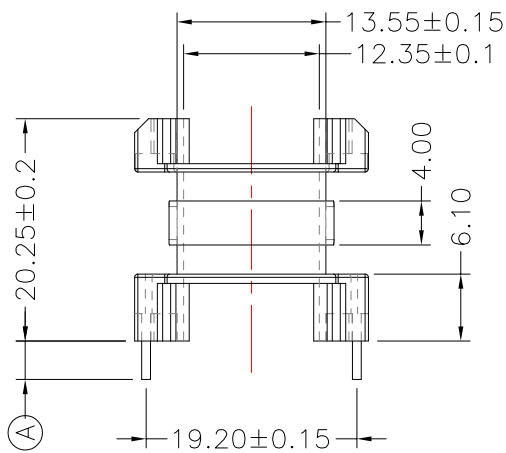
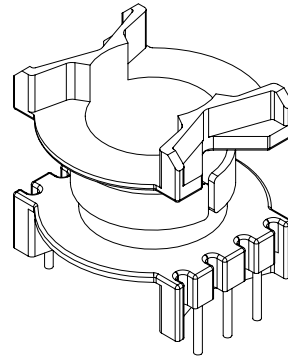
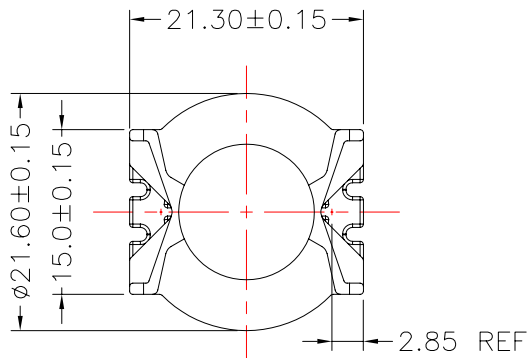




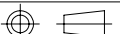
**TRANSFORMER BOBBIN
INDUSTRIAL CO.,LTD.**

Tel : 86-769-88789999 Fax : 86-769-88789989
http:// tbi-tw.com e-mail : tb6688@ms46.hinet.net

REVISIONS				
REV	SYM	DRAFTER	CHECKER	DATE
①		YAN.TANG	G.F.YANG	02/25/09
②		YAN.TANG	G.F.YANG	04/28/09
③				



DWG NO.	PQ2620-6P-TH-3.81-D-12				
PART NO.	MATERIAL (BOBBIN)	MATERIAL (TERMINAL)	TERMINAL (PLATING)	PIN ALLOCATION	NOTE
TBI-216-04041.1206	PM-9820	CP WIRE	Sn	ALL PIN, (A)=3.0±0.2	S.C
TBI-216-04041.1216	PM-9820	CP WIRE	Sn	CUT PIN #2,6 (A)=3.0±0.2	H.C
TBI-216-04041.1226	PM-9820	CP WIRE	Sn	CUT PIN#2,6 (A)=6.0±0.2	
TBI-216-04041.1236	PM-9820	CP WIRE	Sn	CUT PIN#2,6 (A)=4.0±0.2	
TBI-216-04041.1246	PM-9820	CP WIRE	Sn	CUT PIN#2 (A)=3.5±0.3	
TBI-216-04041.1256	PM-9820	CP WIRE	Sn	CUT PIN#2,5 (A)=3.0±0.2	
TBI-216-04041.1266	PM-9820	CP WIRE	Sn	ALL PIN (A)=3.5±0.3	
TBI-216-04041.1276	PM-9820	CP WIRE	Sn	CUT PIN#2,6 (A)=3.5±0.3	
TBI-216-04041.1286	PM-9820	CP WIRE	Sn	CUT PIN#1,5 (A)=3.0±0.3	SCALE 3 : 2
TBI-216-04041.1296	PM-9820	CP WIRE	Sn	CUT PIN#1,5 (A)=3.2±0.2	



TOLERANCE: ±0.13

UNIT : m / m

Finish: 1. PB wire Immersion Sn on terminal : Thickness:Sn plating,100,5 μm (200 μ inches) min,Base nickel 0.625 μm (25 μ inches) min.
2. CP wire Immersion Sn on terminal : Thickness:Sn plating,100,5 μm (200 μ inches) min.
3. Coplanarity deviation: 0.10 mm (0.004 inches)max.

REV	2
-----	---