

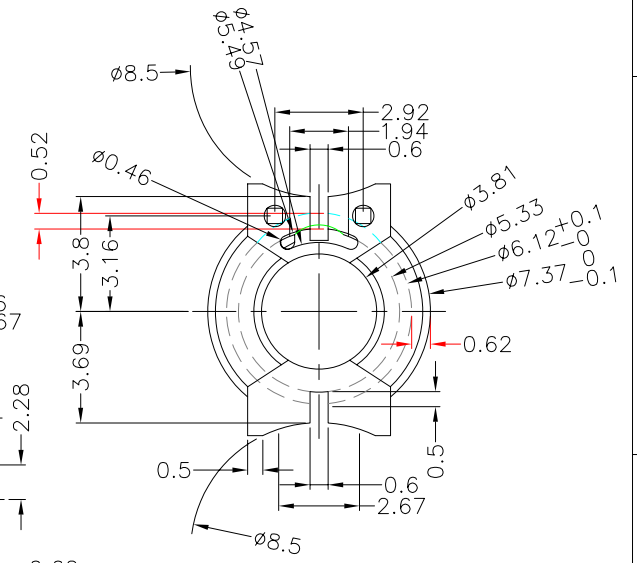
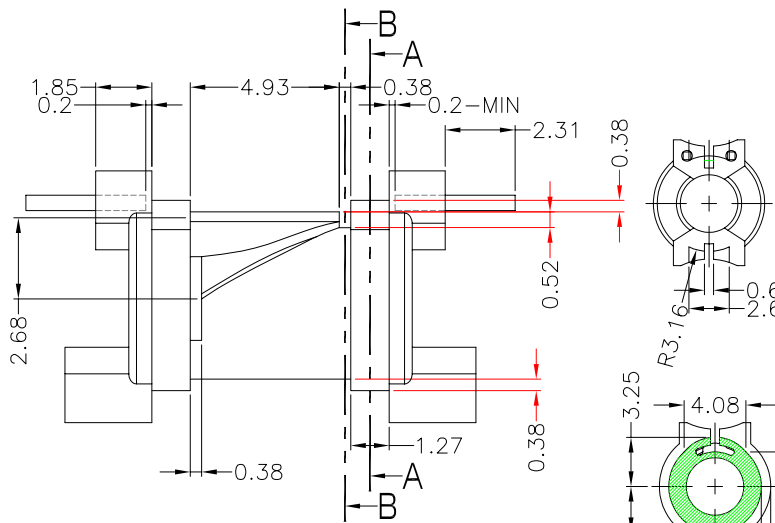
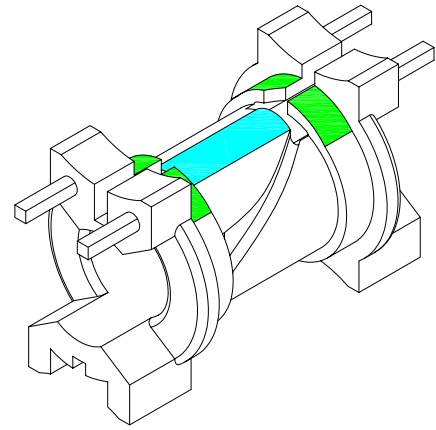
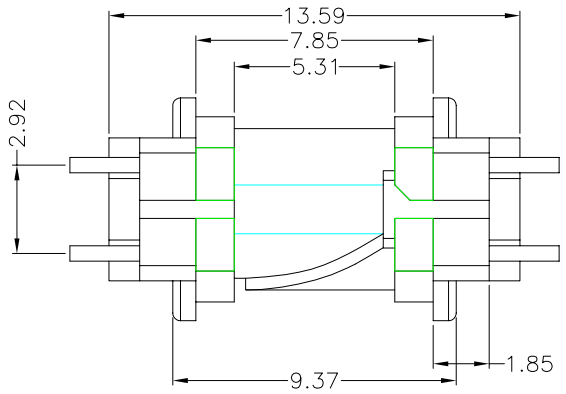


**TRANSFORMER BOBBIN INDUSTRIAL CO.,LTD.**

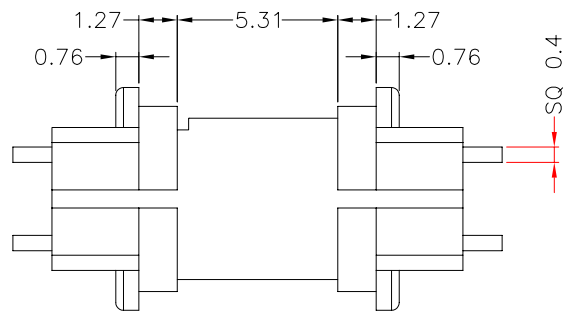
Tel : 86-769-88789999 Fax : 86-769-88789989  
<http://tbi-tw.com> e-mail : tb6688@ms46.hinet.net

REVISIONS

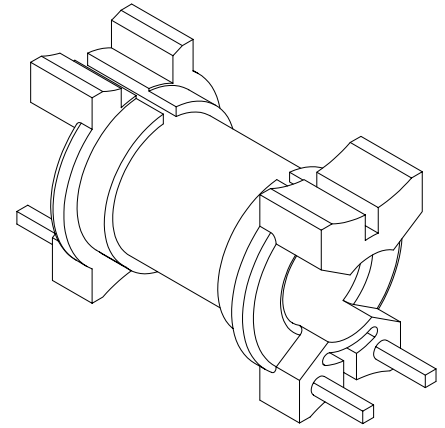
REV	SYM	DRAFTER	CHECKER	DATE
△4		T.S.LII	W.H.HSU	08/30/04
△5		T.S.LII	W.H.HSU	10/08/04
△6		T.S.LII	W.H.HSU	07/24/06



SECTION A-A

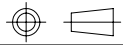


SECTION B-B



DWG NO. R3X9-4P-TH-2.9-A-2

PART NO.	MATERIAL (BOBBIN)	MATERIAL (TERMINAL)	TERMINAL (PLATING)	PIN ALLOCATION	NOTE
TBI-217-01011.203	AM-113	P.B	Sn	ALL PIN	



TOLERANCE: .X±0.15 .XX±0.10 .XXX±0.05

UNIT : m/m

SCALE 4 : 1

Finish: 1. Immersion gold on terminal : Thickness gold 0.075 μm (3 μ inches) min, Base nickel 0.625 μm (25 μ inches) min.  
 2. Immersion Sn on terminal : Terminal:Sn plating,100, 5 μm (200 μ inches) min , Base nickel 0.625 μm (25 μ inches) min.  
 3. Coplanarity deviation: 0.10 mm (0.004 inches) max.

REV 6