

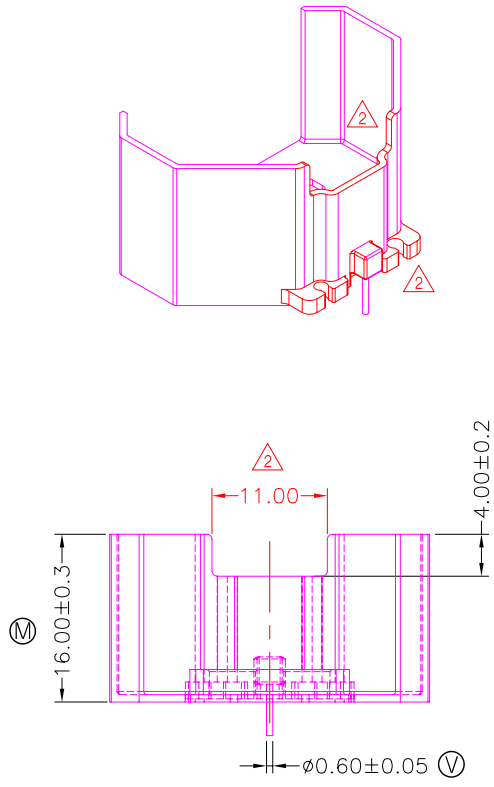
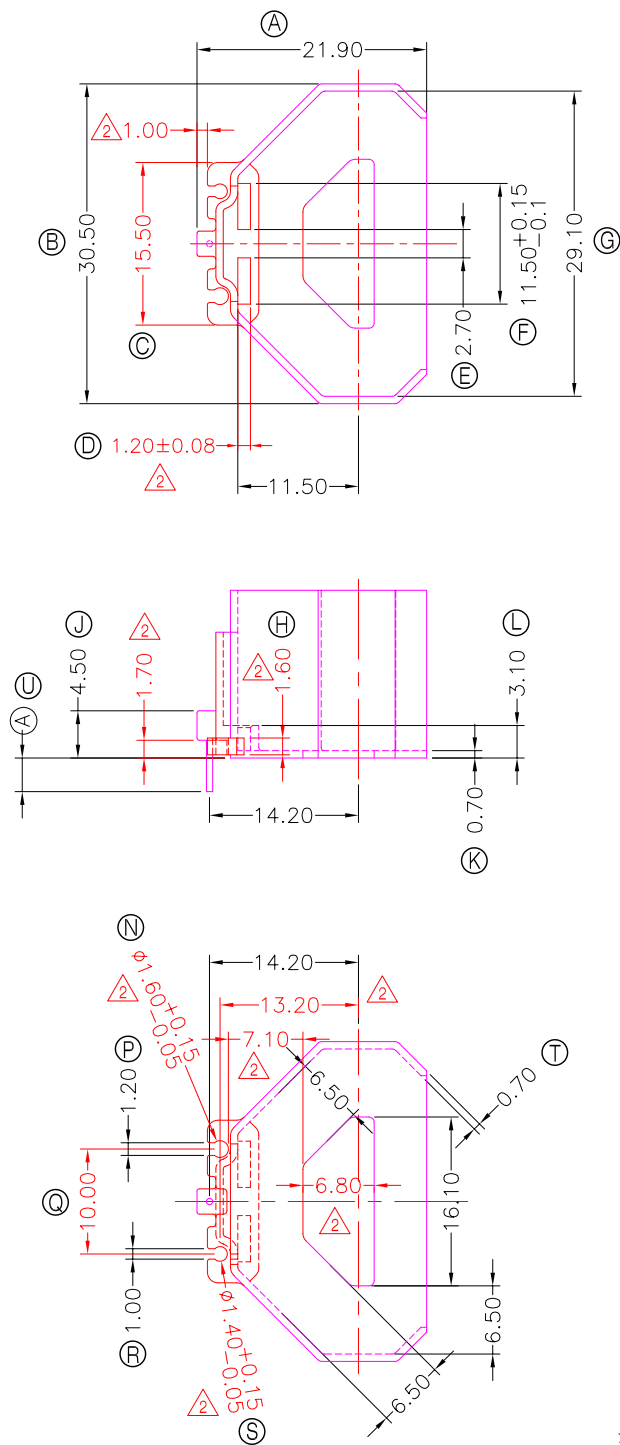


TRANSFORMER BOBBIN
INDUSTRIAL CO.,LTD.

Tel : 86-769-88789999 Fax : 86-769-88789989
http:// tbi-tw.com e-mail : tb6688@ms46.hinet.net

REVISIONS

REV	SYM	DRAFTER	CHECKER	DATE
①		X.H.GU	G.F.YANG	03/27/14
②		X.H.GU	G.F.YANG	06/03/14
③				



與TBI-208-04501.11XX(RM10-16G-8P-TH-E0-11)配套使用;

DWG NO.	RM10-16G-1P-CASE-E1-11				
PART NO.	MATERIAL (BOBBIN)	MATERIAL (TERMINAL)	TERMINAL (PLATING)	PIN ALLOCATION	NOTE
TBI-208-04511.1106	PM-9630	CP WIRE	Sn	ALL PIN(A)=3.2±0.2	S
TBI-208-04511.1116	PM-9630	CP WIRE	Sn	ALL PIN(A)=2.7±0.2	

	TOLERANCE: 0<L<=4:±0.1 4<L<=16:±0.2 16<L<=63:±0.3	UNIT : m / m	SCALE 1 : 1
Finish:	1. PB wire Immersion Sn on terminal : Thickness:Sn plating,100%,5 μm (200 μ inches) min,Base nickel 0.625 μm (25 μ inches) min. 2. CP wire Immersion Sn on terminal : Thickness:Sn plating,100%,5 μm (200 μ inches) min. 3. Coplanarity deviation: 0.10 mm (0.004 inches) max.		REV 2