

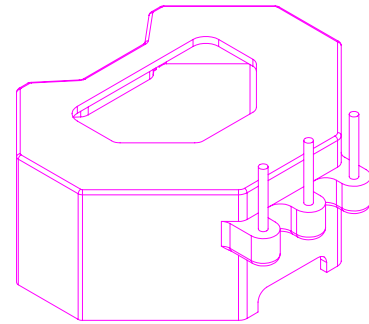
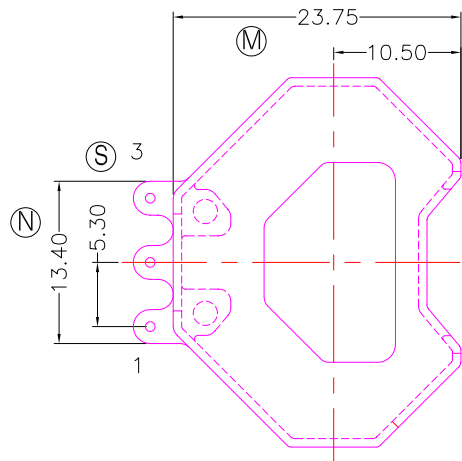
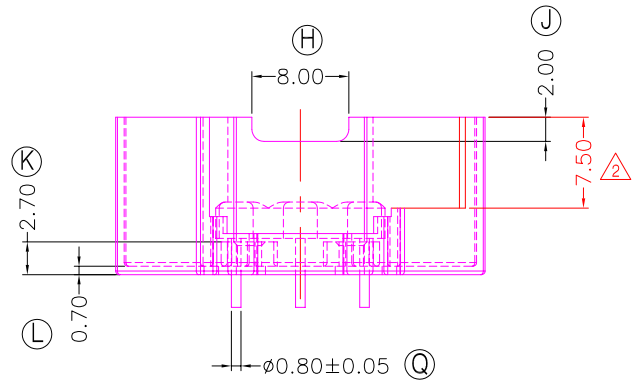
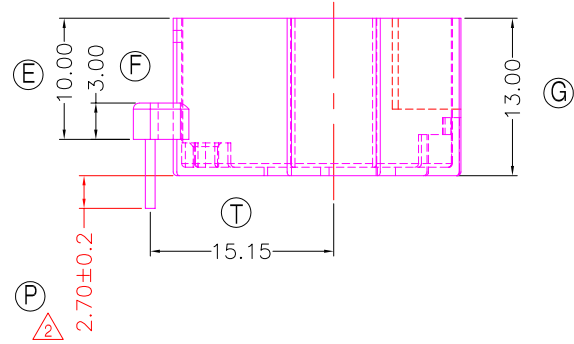
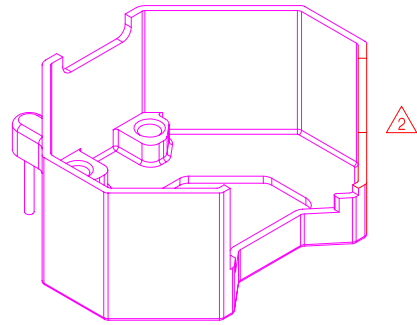
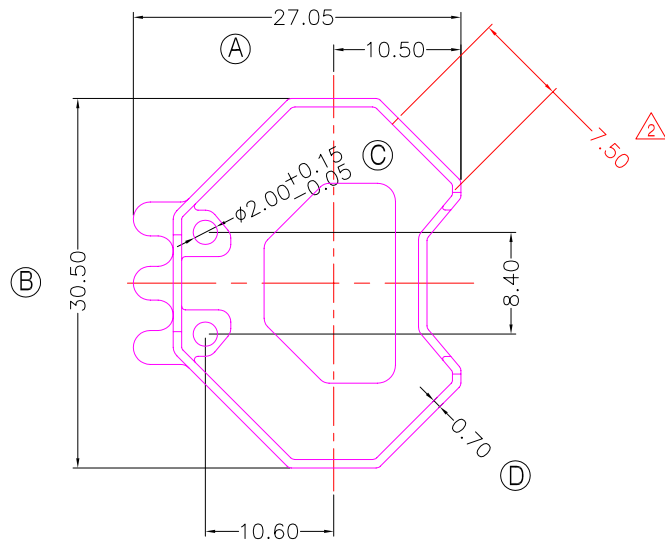


**TRANSFORMER BOBBIN
INDUSTRIAL CO.,LTD.**

Tel : 86-769-88789999 Fax : 86-769-88789989
http:// tbi-tw.com e-mail : tb6688@ms46.hinet.net

REVISIONS

REV	SYM	DRAFTER	CHECKER	DATE
△1		X.H.GU	G.F.YANG	04/26/12
△2		X.H.GU	G.F.YANG	06/14/12
△3				



NOTE:
1. 任一點強度1.3kg Min
2. 焊前拉力:1.0kg Min; 焊後拉力1.5kg Min
與TBI-208-04421.12XX(RM10-12.9G-5P-TH-D2-12)配套使用;

DWG NO. RM10-12.9G-3P-CASE-TH-D3-12

PART NO.	MATERIAL (BOBBIN)	MATERIAL (TERMINAL)	TERMINAL (PLATING)	PIN ALLOCATION	NOTE
TBI-208-04431.1206	PM-9820	CP WIRE	Sn	ALL PIN	S
TBI-208-04431.1216	PM-9820	CP WIRE	Sn	NO PIN#3	H

TOLERANCE: 0<L<=4:±0.1 4<L<=16:±0.2 16<L<=63:±0.3

UNIT : m / m

SCALE 1 : 1

Finish: 1. PB wire Immersion Sn on terminal : Thickness:Sn plating,100,5 μm (200 μ inches) min,Base nickel 0.625 μm (25 μ inches) min.
2. CP wire Immersion Sn on terminal : Thickness:Sn plating,100,5 μm (200 μ inches) min.
3. Coplanarity deviation: 0.10 mm (0.004 inches) max.

REV 2